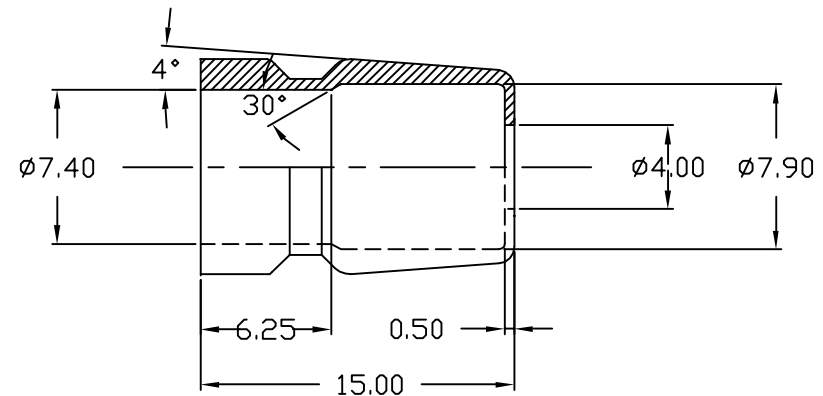
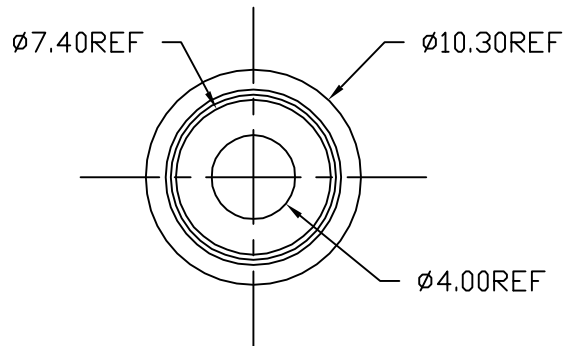
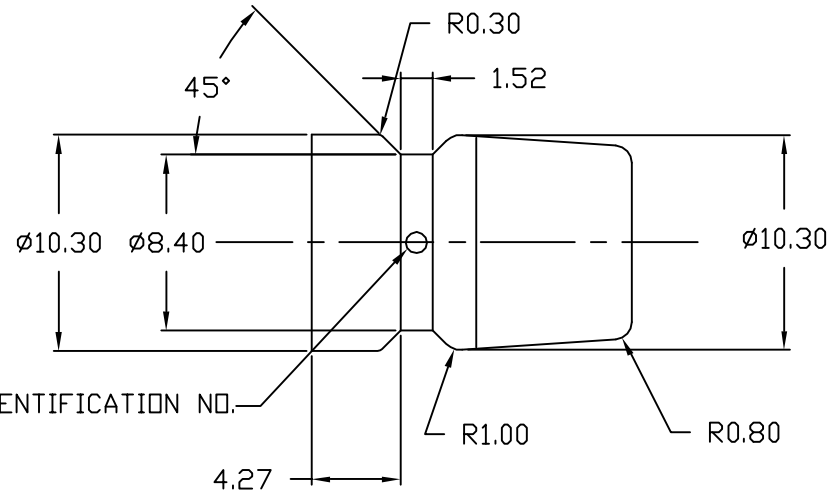


COLOUR	PART NUMBER
BLACK	012-4035-000
BROWN	012-4035-001
RED	012-4035-002
ORANGE	012-4035-003
YELLOW	012-4035-004
GREEN	012-4035-005
BLUE	012-4035-006
VIOLET	012-4035-007
GREY	012-4035-008
WHITE	012-4035-009



NOTES:

- MATERIAL: THERMOPLASTIC ELASTOMER HARDNESS 80-87 SHORE A SCALE e.g. BASF "ELASTOLLAN C85A" OR TOWNSEND CHEMICALS "REFLEX-322E" OR SANTOPRENE 121-80
- PARTS TO BE CLEAN AND FREE OF FLASH WITH MATT SURFACE FINISH
- APPROVE ASSEMBLY AID LUBRICANT IS LUSIN ALRO 0 153S

UNLESS OTHERWISE SPECIFIED TOLERANCE TO BE	
LINEAR	ANGULAR
X ± 0.5	X° ± 1'
X.X ± 0.1	X'X" ± 30'
X.XX ± 0.05	X'X'X" ± 15'

THIS DOCUMENT IS THE PROPERTY OF AMPHENOL AUSTRALIA PTY. LTD.. NO PART THEREOF MAY BE REPRODUCED AND USED WITHOUT THE PRIOR WRITTEN CONSENT OF THE OWNER

CAD FILE: 00010107	DRN: D.v.E.	DATE: 15.06.93
MATL: REFER TO NOTE 1	CKD: MH	DATE: 25/2/99
DO NOT SCALE	FINISH: REFER TO NOTE 2	APP'D: PM
DIMENSIONS IN MILLIMETRES	THIRD ANGLE PROJECTION	SCALE: 4:1

7	ADDED MATERIAL: SANTOPREN 121-80	M.N.H.	25-02-99	7235
6	REFER TO CHANGE NOTE	P.M.	24-02-98	7062
5	FIRST ISSUE	D.v.E.	29.06.93	----
REV.	CHANGE DETAILS	BY	DATE	CHG/No

TITLE: AC SERIES 7mm GROMMET	Amphenol Amphenol Australia Pty Ltd, 248 Wickham Rd, Moorabbin Vic 3108
DRAWING NO. 012-4035-00*	SHEET 1 OF 1