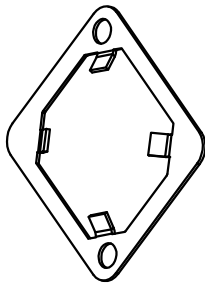
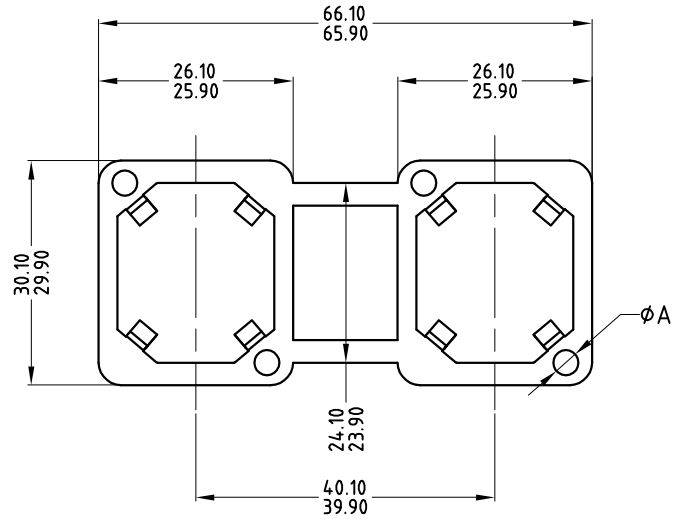


**GANG STYLE CLIP**  
029-4006-001



**SINGLE STYLE CLIP**  
029-4006-000  
029-4006-002



PART No.	$\phi A$
029-4-006-000	3.35
029-4-006-001	3.35
029-4-006-002	2.40

UNLESS OTHERWISE SPECIFIED TOLERANCE TO BE		THIS DOCUMENT IS THE PROPERTY OF AMPHENOL AUSTRALIA PTY. LTD.. NO PART THEREOF MAY BE REPRODUCED AND USED WITHOUT THE PRIOR WRITTEN CONSENT OF THE OWNER			0	FIRST ISSUE	C.J.W	15-06-92	----
LINEAR	ANGULAR	CAD FILE:	DRN:	DATE:	REV.	CHANGE DETAILS	BY	DATE	CHG/No
X ± 0.5	X° ± 1°	00017103	D.v.E	29-10-91					
X.X ± 0.1	X°X' ± 30'	MATL:	CKD:	DATE:					
X.XX ± 0.05	X°X'X" ± 15"	REFER TO NOTE 1	M.N.H	05-04-06					
BREAK ALL SHARP EDGES AND REMOVE ALL BURRS		FINISH:	APP'D:	DATE:					
DO NOT SCALE		REFER TO NOTE 2	P.M	05-04-06					
DIMENSIONS IN MILLIMETRES		THIRD ANGLE PROJECTION		SCALE: 1:1 UOS	PART No REFER TO CHART		SIZE: A4	DRAWING NO. SHEET	
					TITLE: AC3**P CLIP CUSTOMER DRAWING		Amphenol		
							Amphenol Australia Pty Ltd, 2 Fireways Blvd, Keysborough, Vic3175		
							029-4006-00x 1 OF 1		