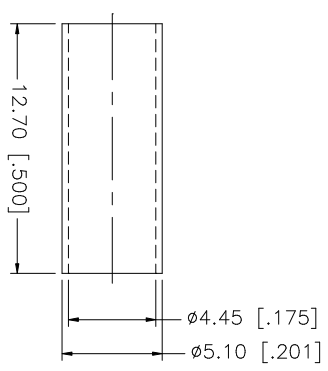
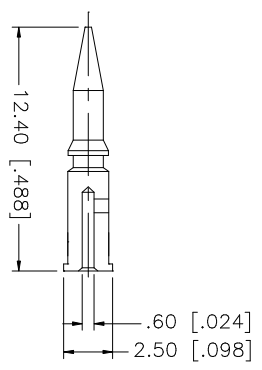
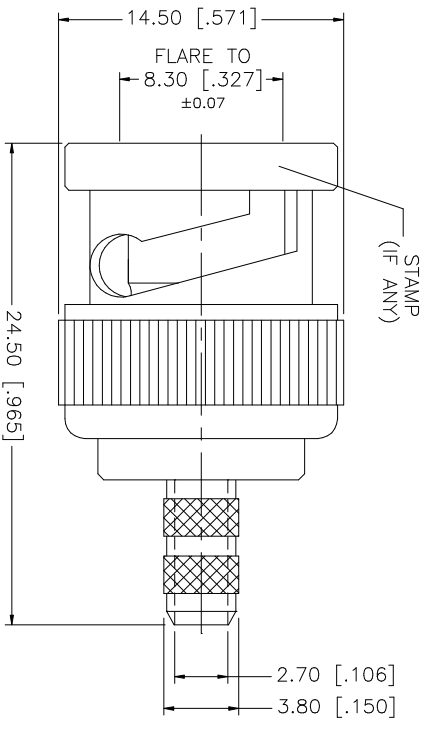
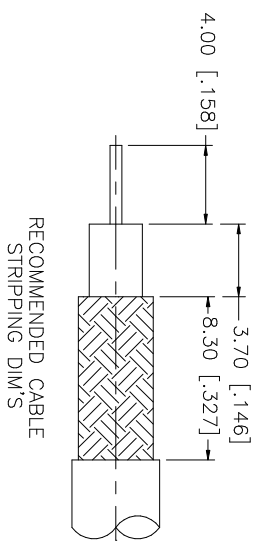


REV.	DATE	DESCRIPTION
A	11/21/03	UPDATE DRAWING FORMAT



CRIMP NOTES:

1. CRIMPED FERRULE
HEX CRIMP SIZE .178"
2. CRIMPED CONTACT PIN
HEX CRIMP SIZE .068"

Amphenol Connex

BNC CRIMP PLUG (FOR BELDEN 1865A, 8218, B1417B, B1164B, RG-B809)

QTY	FINISH	MATERIAL	DESCRIPTION
1	NICKEL	BRASS	BODY
1	NATURAL	DELRIN	INSULATOR
1	GOLD	BRASS	CONTACT PIN
1	NICKEL	COPPER	FERRULE

APPROVALS	DATE
DRAWN G.R.S.	11/21/03
CHECKED	
ISSUED	
SHEET 1 OF 1	

PART DESCRIPTION	PART NO.	DWG. NO.	REV.	SIZE	SCALE
BNC CRIMP PLUG (FOR BELDEN 1865A, 8218, B1417B, B1164B, RG-B809)	112521	112521.DWG	A	A	NA

UNLESS OTHERWISE SPECIFIED DIMENSIONS ARE IN MILLIMETERS. DIMENSIONS IN [] ARE IN INCHES AND FOR CUSTOMER REFERENCE ONLY. TOLERANCES FOR MILLIMETERS ARE:
 0.5 - 8mm ± 0.20mm
 8 - 30mm ± 0.40mm
 30 - 120mm ± 0.50mm
 UNLESS OTHERWISE SPECIFIED TOLERANCES FOR INCHES ARE:
 .020 - .315 = ± 0.007"
 .315 - 1.180 = ± 0.015"
 1.180 - 4.724 = ± 0.020"
 DO NOT SCALE DRAWING

CAD FILE C:/112/112521.DWG