

1

2

3

4

5

6

A

B

C

D

E

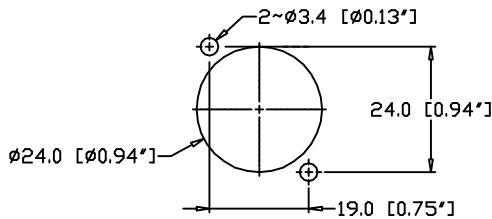
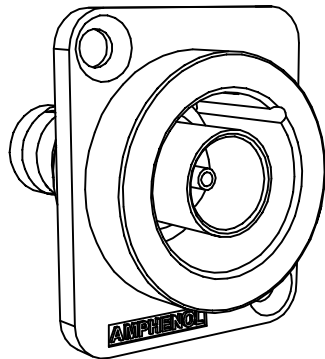
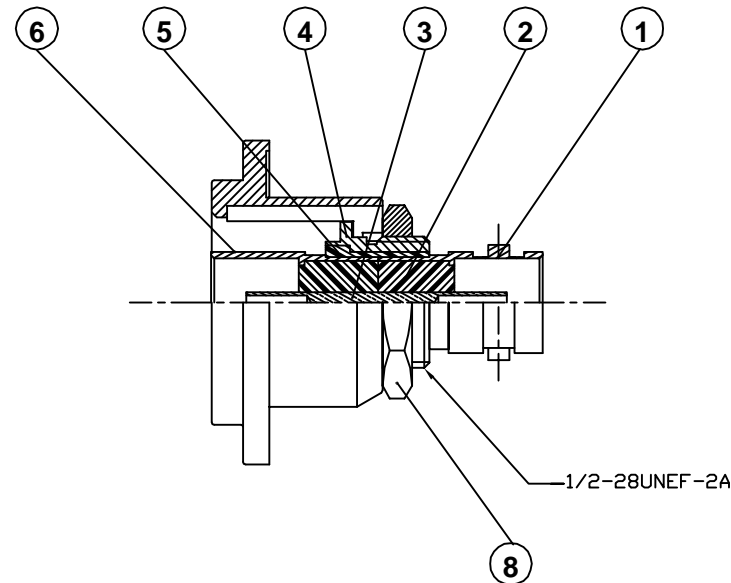
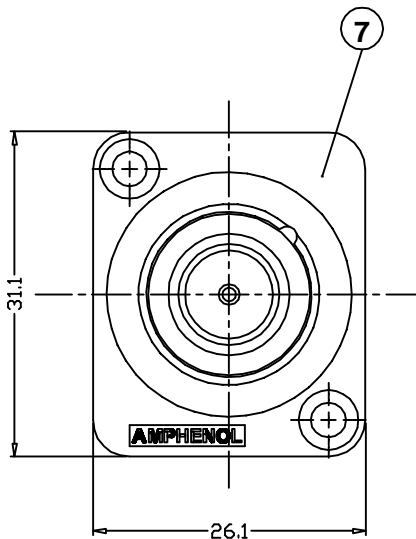
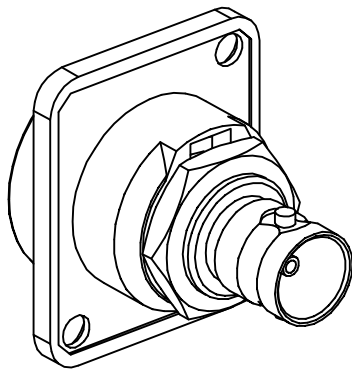
A

B

C

D

E



MOUNTING DETAILS

SCALE 1:1

(DIMENSIONS IN PARENTHESES ARE IN INCHES)



8	HN16-1/2-28X28	HN16-1/2-28X28	HEX NUT	01
7	5348001-*31	5348001-*31-1	D-SHELL	01
6	A000410-1-B	A000410-1-B	BODY	01
5	87925-4-A	87925-4-A	INSULATOR	01
4	87925-6-C	87925-6-C	HOUSING	01
3	87900-4	87900-4	CONTACT PIN	01
2	87996ZZ-3-75	87996ZZ-3-75	INSULATOR	02
1	87925-1-B	87925-1-B	BODY	01

UNLESS OTHERWISE SPECIFIED TOLERANCE TO BE		THIS DOCUMENT IS THE PROPERTY OF AMPHENOL AUSTRALIA PTY. LTD.. NO PART THEREOF MAY BE REPRODUCED AND USED WITHOUT THE PRIOR WRITTEN CONSENT OF THE OWNER		0	FIRST ISSUE	M.N.H.	07-08-2000	----
LINEAR	ANGULAR	CAD FILE: 55010012000110		REV.	CHANGE DETAILS	BY	DATE	CHG/No
X ± 1	X' ± 1"	DRN:	T.N.	DATE:	07-08-00	TITLE: AC SERIES BNC PUSH-JACK INSERT 75 Ohm RECEPTACLE		
X.X ± 0.5	X'X' ± 30'	CKD:	M.N.H	DATE:	19-12-00	Amphenol Australia Pty Ltd, 2 Fireways Blvd, Keaysborough, Vic 3173		
X.XX ± 0.10	X'X'X' ± 15'	APP'D:	P.M	DATE:	19-12-00	DRAWING NO. SHEET		
DO NOT SCALE		FINISH: REFER TO COMPONENT	APP'D:	P.M	DATE:	19-12-00	55010012-000-1	
DIMENSIONS IN MILLIMETRES		THIRD ANGLE PROJECTION	SCALE: 2:1 UOS	PART No: 55010012-000		SIZE: A3	55010012-000-1 1 of 1	

1

2

3

4

5

6

F

F