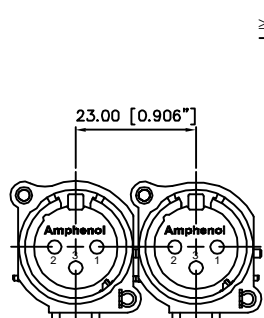
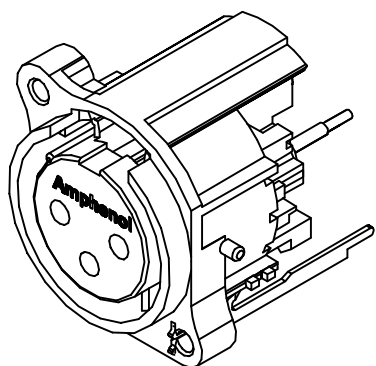


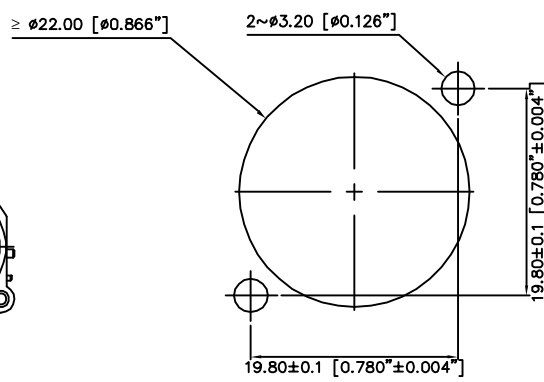
FRONT VIEW

SIDE VIEW

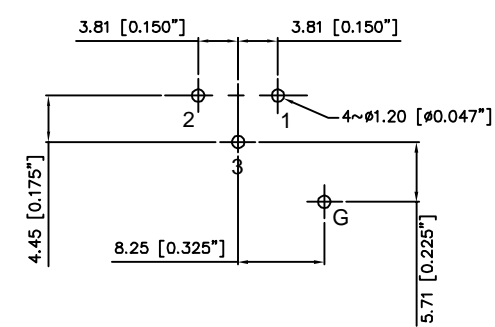
REAR VIEW



MIN MOUNTING PITCH  
SCALE 1:1



PANEL CUT OUT  
REAR VIEW



PCB-LAYOUT  
COMPONENT SIDE  
TOLERANCE: ±0.05mm [0.002\"/>

UNLESS OTHERWISE SPECIFIED TOLERANCE TO BE		THIS DOCUMENT IS THE PROPERTY OF AMPHENOL AUSTRALIA PTY. LTD.. NO PART THEREOF MAY BE REPRODUCED AND USED WITHOUT THE PRIOR WRITTEN CONSENT OF THE OWNER		0	FIRST ISSUE	L.VO.	29/12/00	----
LINEAR	ANGULAR			REV.	CHANGE DETAILS	BY	DATE	CHG/No
X ± 1	X° ± 1'	CAD FILE: 55010033000110		DRN:	L.VO.	DATE:	29/12/00	TITLE:
X.X ± 0.5	X'X' ± 30'	MATL:	N/A	CKD:	M.N.H	DATE:	16-03-01	<b>AC3FAVL4, A-TYPE</b>
X.XX ± 0.10	X'X'X' ± 15'	FINISH:	N/A	APP'D:	P.M	DATE:	16-03-01	<b>CUSTOMER DRAWING</b>
DO NOT SCALE		DIMENSIONS IN MILLIMETRES		THIRD ANGLE PROJECTION		SCALE:	2:1 UOS	PART No:
								55010033-000
								SIZE: A3
								55010033-000-1
								1 of 1

**Amphenol**  
Amphenol Australia Pty Ltd, 2 Fineways Blvd, Keysborough, Vic 3173  
DRAWING NO. SHEET