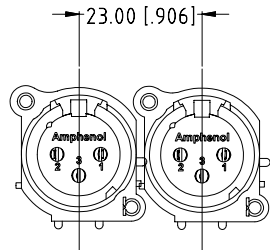
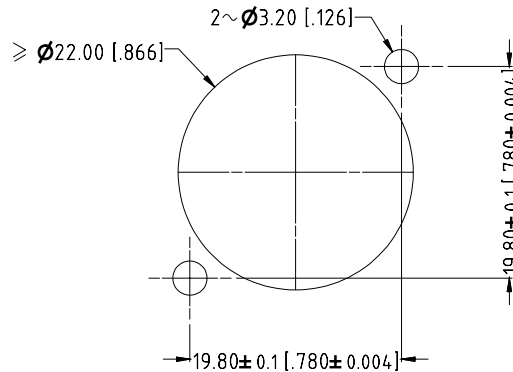


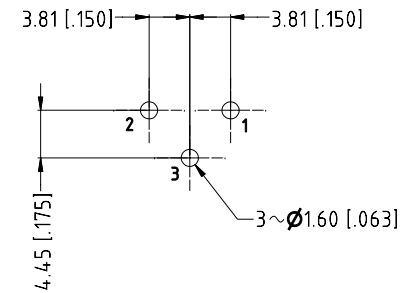
ISO VIEW
SCALE 1:1



MIN MOUNTING PITCH
SCALE 1:1



PANEL CUT OUT
REAR VIEW



PCB LAYOUT
COMPONENT SIDE
TOLERANCE: ± 0.05mm [0.02]

UNLESS OTHERWISE SPECIFIED TOLERANCE TO BE		THIS DOCUMENT IS THE PROPERTY OF AMPHENOL AUSTRALIA PTY. LTD. NO PART THEREOF MAY BE REPRODUCED AND USED WITHOUT THE PRIOR WRITTEN CONSENT OF THE OWNER				1	UPDATE FROM CUSTOMER DRAWING ADD PAGE 1 OF 2 FOR ASSEMBLY DRAWING	L.V	12-06-03	8185
LINEAR	ANGULAR					0	FIRST ISSUE	L.V	28-12-00	----
X ± 0.5	X' ± 1					REV.	CHANGE DETAILS	BY	DATE	CHG/No
XX ± 0.1	XX' ± 30'	CAD FILE: 55010038000221	DRN: L.V	DATE: 28-12-00	TITLE: AC3FAVL-AU A-TYPE VERTICAL CUSTOMER DWG					
XXX ± 0.05	XXX' ± 15'	MATL: SEE COMPONENT	CKD: M.N.H	DATE: 20-06-03						
DO NOT SCALE	FINISH: SEE COMPONENT	APP'D: P.M	DATE: 30-06-03							
DIMENSIONS IN MILLIMETRES		THIRD ANGLE PROJECTION	SCALE: 2:1 UOS	PART No: 55010038-000	SIZE: A3	DRAWING NO. 55010038-000-2		SHEET 2/2		

Amphenol
Amphenol Australia Pty Ltd, 2 Fineways Blvd, Keyborough, Vic3173