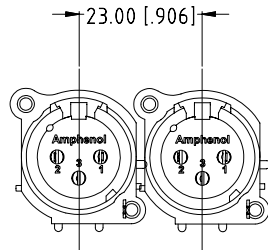
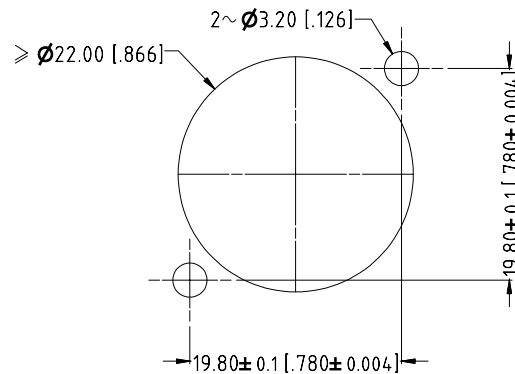


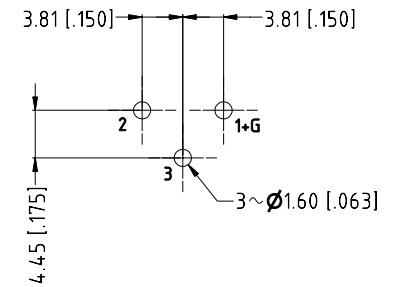
**ISO VIEW**  
SCALE 1:1



**MIN MOUNTING PITCH**  
SCALE 1:1



**PANEL CUT OUT**  
REAR VIEW



**PCB LAYOUT**  
COMPONENT SIDE  
TOLERANCE: ± 0.05mm [0.002]

UNLESS OTHERWISE SPECIFIED TOLERANCE TO BE		THIS DOCUMENT IS THE PROPERTY OF AMPHENOL AUSTRALIA PTY. LTD. NO PART THEREOF MAY BE REPRODUCED AND USED WITHOUT THE PRIOR WRITTEN CONSENT OF THE OWNER				1	UPDATE FROM CUSTOMER DRAWING ADD PAGE 1 OF 2 FOR ASSEMBLY DRAWING	L.V	12-06-03	8185	
LINEAR	ANGULAR					0	FIRST ISSUE	L.V	26-03-01	----	
X ± 0.5	X' ± 1					REV.	CHANGE DETAILS	BY	DATE	CHG/No	
XX ± 0.1	XX' ± 30'	CAD FILE: 55010053000221	DRN: L.V	DATE: 26-03-01	TITLE: AC3FAVL3-AU A-TYPE VERTICAL CUSTOMER DWG			Amphenol			
XXX ± 0.05	XXX' ± 15'	MATL: SEE COMPONENT	CKD: M.N.H	DATE: 20-06-03	Amphenol Australia Pty Ltd, 2 Firminys Blvd, Keyborough, Vic3173			DRAWING NO.			
DO NOT SCALE	FINISH: SEE COMPONENT	APP'D: P.M	DATE: 30-06-03	SCALE: 2:1 UOS	PART No: 55010053-000	SIZE: A3	55010053-000-2		SHEET 2/2		
DIMENSIONS IN MILLIMETRES		THIRD ANGLE PROJECTION									