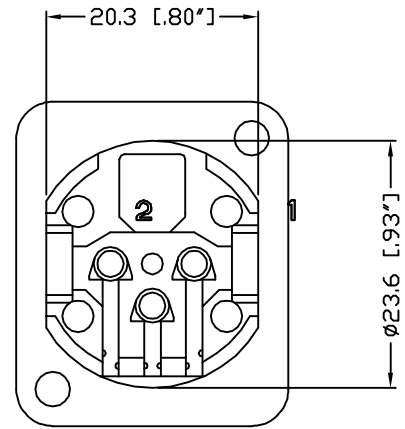
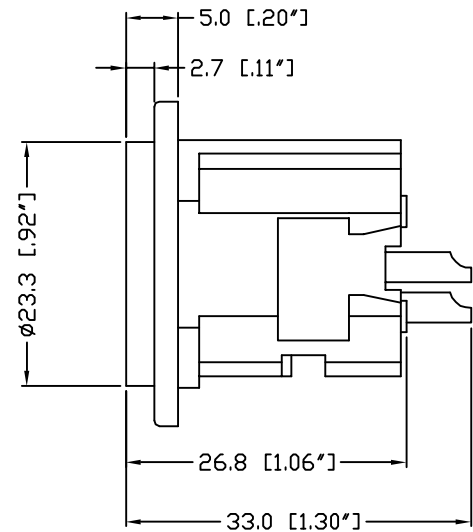
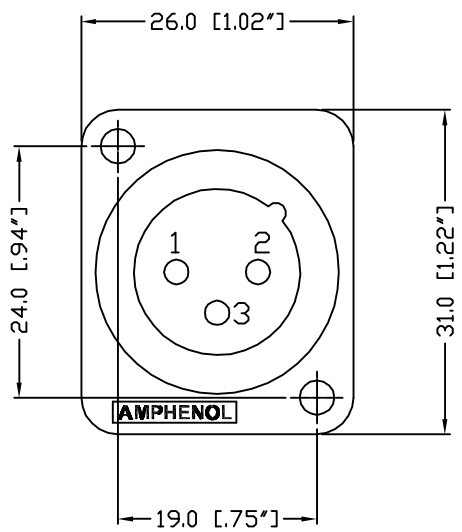


PANEL CUT OUT



UNLESS OTHERWISE SPECIFIED TOLERANCE TO BE		THIS DOCUMENT IS THE PROPERTY OF AMPHENOL AUSTRALIA PTY. LTD.. NO PART THEREOF MAY BE REPRODUCED AND USED WITHOUT THE PRIOR WRITTEN CONSENT OF THE OWNER		0	FIRST ISSUE	L.V	20-09-01	----
LINEAR	ANGULAR			REV.	CHANGE DETAILS	BY	DATE	CHG/No
X ± 0.50	X' ± 10'	CAD FILE: 55010080000110	DRN: L.V	DATE: 20-09-01	TITLE: AC3MDPL MALE PLASTIC P-MOUNT CUSTOMER DWG		Amphenol Australia Pty Ltd, 2 Fineways Blvd, Keysborough, Vic 3173	
X.X ± 0.20	X'X' ± 30'	MATL: REFER TO COMPONENT	CKD: M.N.H	DATE: 05-10-01	DRAWING NO.		SHEET	
X.XX ± 0.10	X'X'X' ± 15'	FINISH: REFER TO COMPONENT	APP'D: P.M	DATE: 11-10-01	55010080-000-1		1 of 1	
DIMENSIONS IN MILLIMETRES		THIRD ANGLE PROJECTION	SCALE: 2:1 UOS	PART No:	55010080-000	SIZE: A3		