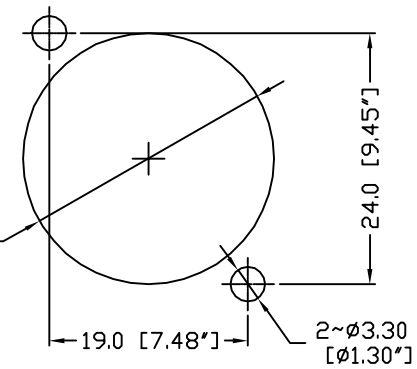
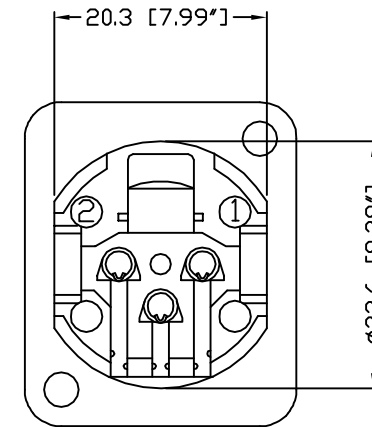
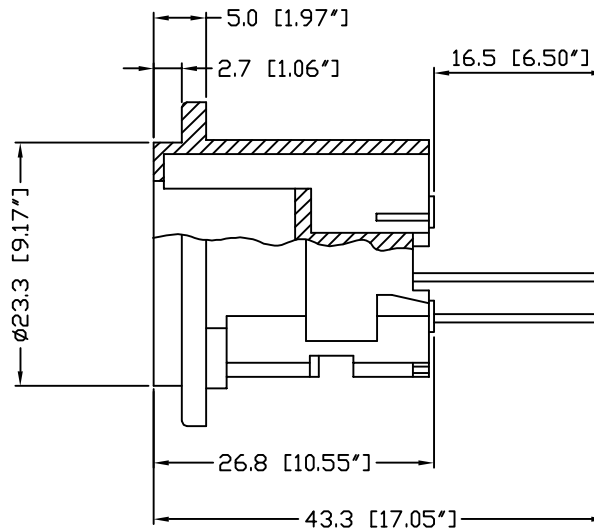
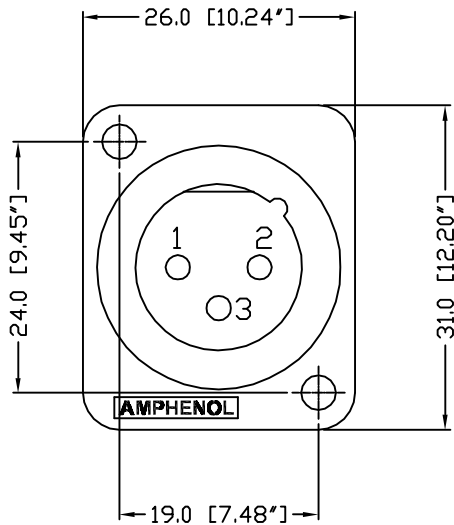


PCB FOOT PRINT



PANEL CUT OUT



UNLESS OTHERWISE SPECIFIED TOLERANCE TO BE		THIS DOCUMENT IS THE PROPERTY OF AMPHENOL AUSTRALIA PTY. LTD.. NO PART THEREOF MAY BE REPRODUCED AND USED WITHOUT THE PRIOR WRITTEN CONSENT OF THE OWNER		0	FIRST ISSUE	L.V	20-09-01	----
LINEAR	ANGULAR			REV.	CHANGE DETAILS	BY	DATE	CHG/No
X ± 0.5	X' ± 10'	CAD FILE: 55010081000110	DRN: L.V	DATE: 20-09-01	TITLE:		Amphenol	
X.X ± 0.20	X'X' ± 30'	MATL: REFER TO COMPONENT	CKD: M.N.H	DATE: 03-10-01	AC3MDPV PCB		Amphenol Australia Pty Ltd, 2 Fineways Blvd, Keysborough, Vic3173	
X.XX ± 0.10	X'X'X' ± 15'	FINISH: REFER TO COMPONENT	APP'D: P.M	DATE: 11-10-01	PLASTIC P-MOUNT		DRAWING NO. SHEET	
DO NOT SCALE		THIRD ANGLE PROJECTION		SCALE: 2:1 UOS	PART No: 55010081-000	SIZE: A3	55010081-000-1 1 of 1	