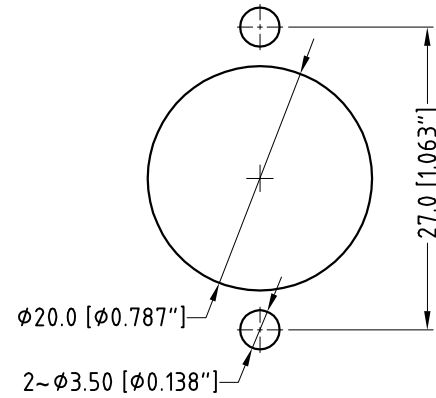
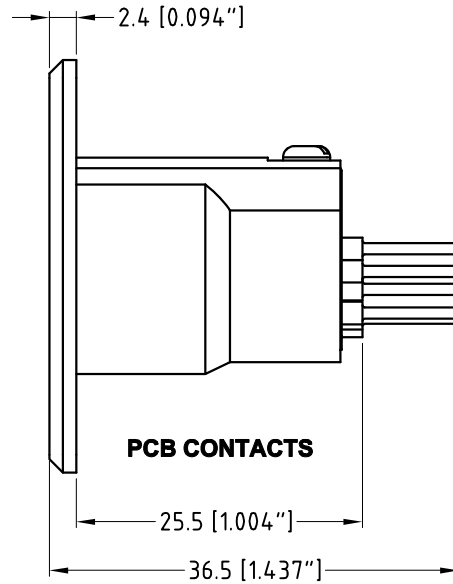
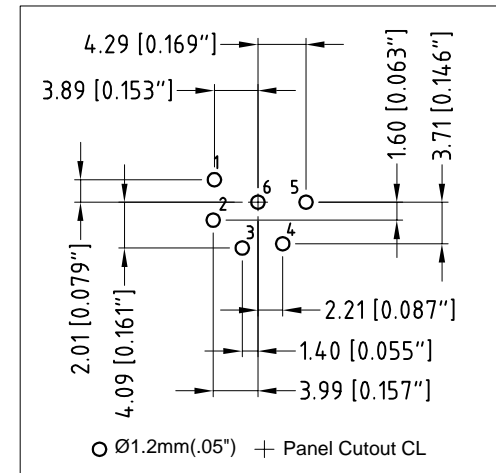


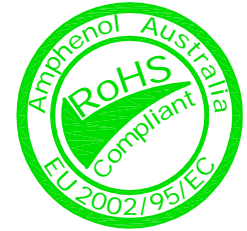
**ISO VIEW**



**PANEL CUT OUT**



CATALOGUE P/N	SHELL FINISH
AC6AMPNZV	NICKEL
AC6AMPNZVB	MATT BLACK



UNLESS OTHERWISE SPECIFIED TOLERANCE TO BE		THIS DOCUMENT IS THE PROPERTY OF AMPHENOL AUSTRALIA PTY. LTD.. NO PART THEREOF MAY BE REPRODUCED AND USED WITHOUT THE PRIOR WRITTEN CONSENT OF THE OWNER			0	FIRST ISSUE	L.V	04-04-06	----
LINEAR	ANGULAR	CAD FILE: 55010354000110			DRN: L.V	DATE: 04-04-06	REV. CHANGE DETAILS		
X ± 0.5	X° ± 1°	MATERIAL: REFER TO COMPONENT			CKD: M.N.H	DATE: 01-05-06	BY DATE CHG/No		
X.X ± 0.1	X°X' ± 30'	FINISH: REFER TO COMPONENT			APP'D: P.M	DATE: 01-05-06	TITLE: AC6AMPNZV* PANEL MOUNT CUSTOMER DWG		
X.XX ± 0.05	X°X'X" ± 15"	DIMENSIONS IN MILLIMETRES			SCALE: 1.5:1 UOS	PART No: REFER TO CHART	SIZE: A4	DRAWING NO. 55010354-000-1	
					THIRD ANGLE PROJECTION		SHEET 1 OF 1		Amphenol Australia Pty Ltd, 2 Fireways Blvd, Keysborough, Vic3175