

1

2

3

4

5

6

A

B

C

D

E

F

A

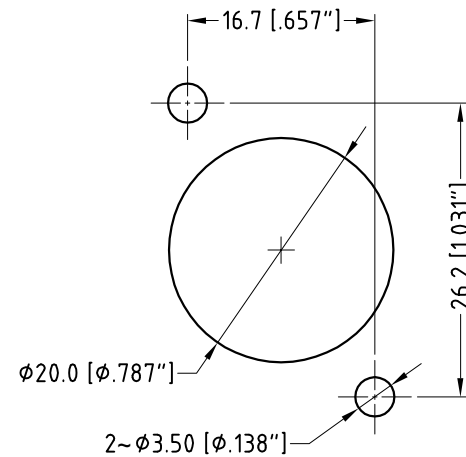
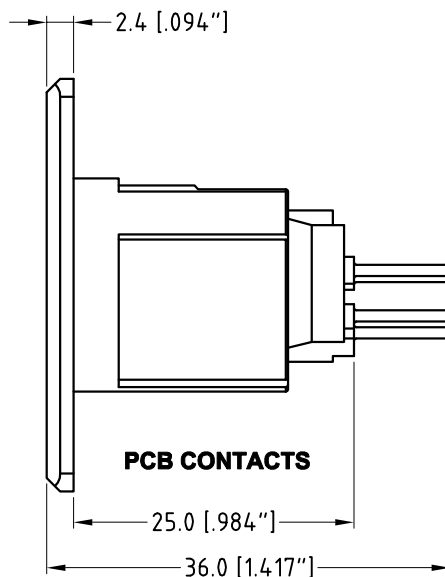
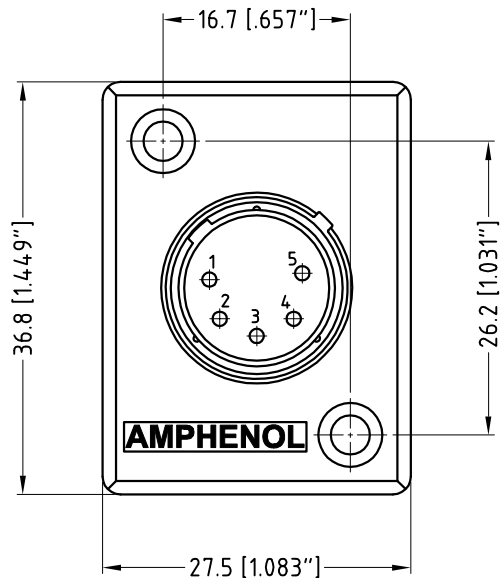
B

C

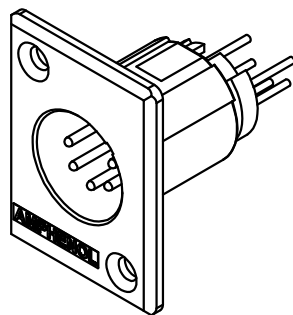
D

E

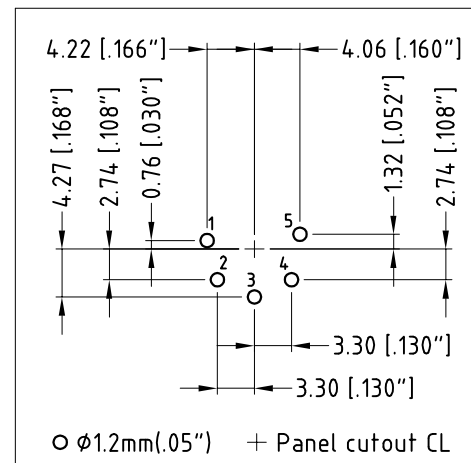
F



### PANEL CUT OUT



### ISO VIEW



CATALOGUE P/N	SHELL FINISH
AC5MPV	NICKEL
AC5MPVB	MATT BLACK

UNLESS OTHERWISE SPECIFIED TOLERANCE TO BE		THIS DOCUMENT IS THE PROPERTY OF AMPHENOL AUSTRALIA PTY. LTD.. NO PART THEREOF MAY BE REPRODUCED AND USED WITHOUT THE PRIOR WRITTEN CONSENT OF THE OWNER			0	FIRST ISSUE	L.V	04-04-06	----
LINEAR	ANGULAR	CAD FILE: 55010359000110			DRN: L.V	DATE: 04-04-06	TITLE:		
X ± 0.5	X° ± 1°	MATERIAL: REFER TO COMPONENT			CKD: M.N.H	DATE: 01-05-06	AC5MPV* PANEL MOUNT CUSTOMER DWG		
X.X ± 0.1	X°X' ± 30'	FINISH: REFER TO COMPONENT			APP'D: P.M	DATE: 01-05-06	Amphenol		
X.XX ± 0.05	X°X'X" ± 15'	DO NOT SCALE			SCALE: 1.5:1 UOS	PART No: REFER TO CHART	SIZE: A4	Amphenol Australia Pty Ltd, 2 Fireways Blvd, Keysborough, Vic3175	
DIMENSIONS IN MILLIMETRES		THIRD ANGLE PROJECTION		DRAWING NO. 55010359-000-1		SHEET 1 OF 1			

