

1

2

3

4

5

6

A

B

C

D

E

F

A

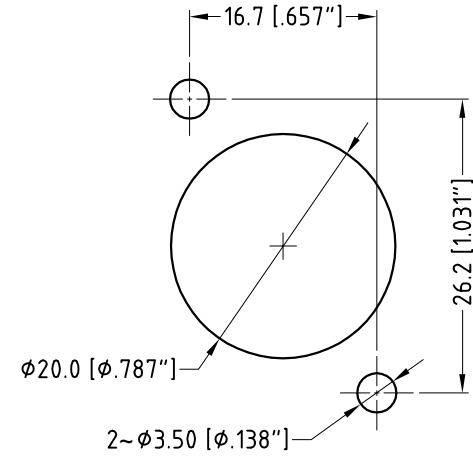
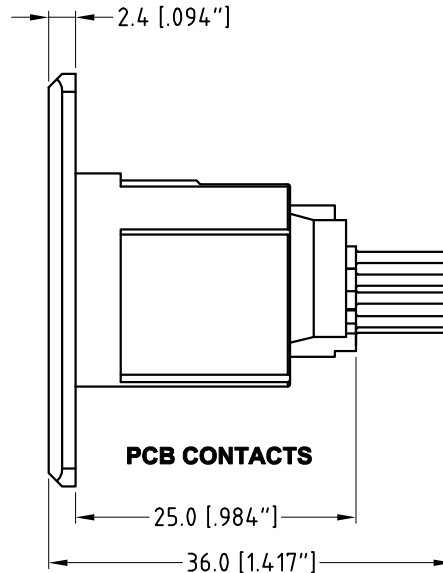
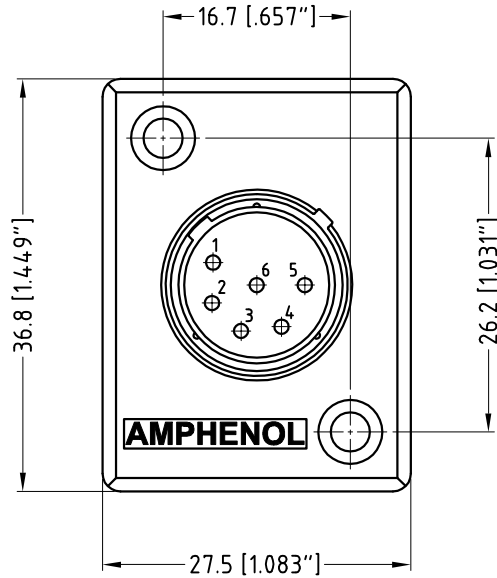
B

C

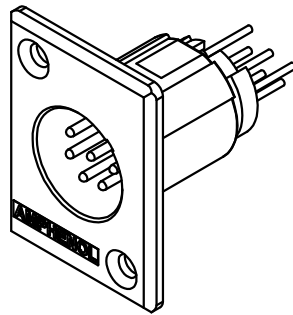
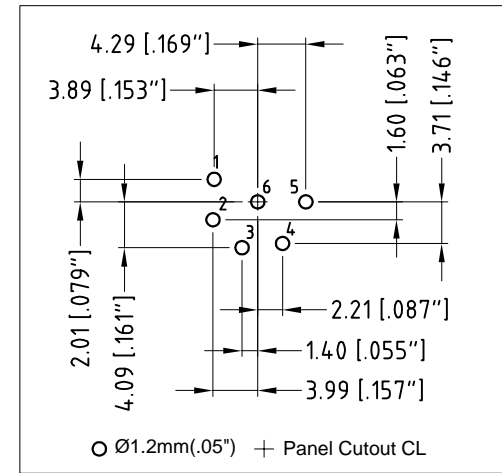
D

E

F



PANEL CUT OUT



ISO VIEW

CATALOGUE P/N	SHELL FINISH
AC6AMPV	NICKEL
AC6AMPVB	MATT BLACK

UNLESS OTHERWISE SPECIFIED TOLERANCE TO BE		THIS DOCUMENT IS THE PROPERTY OF AMPHENOL AUSTRALIA PTY. LTD.. NO PART THEREOF MAY BE REPRODUCED AND USED WITHOUT THE PRIOR WRITTEN CONSENT OF THE OWNER			0	FIRST ISSUE	L.V	04-04-06	----
LINEAR	ANGULAR	CAD FILE: 55010360000110			DRN: L.V	DATE: 04-04-06	TITLE: AC6AMPV* PANEL MOUNT CUSTOMER DWG		
X ± 0.5	X° ± 1°	MATERIAL: REFER TO COMPONENT			CKD: M.N.H	DATE: 01-05-06	Amphenol Australia Pty Ltd, 2 Fireways Blvd, Keysborough, Vic3173		
X,X ± 0.1	X°X° ± 30°	FINISH: REFER TO COMPONENT			APP'D: P.M	DATE: 01-05-06	DRAWING NO. 55010360-000-1		
X,XX ± 0.05	X°X°X° ± 15°	DIMENSIONS IN MILLIMETRES			SCALE: 1.5:1 UOS	PART No: REFER TO CHART	SIZE: A4	SHEET 1 OF 1	