

1

2

3

4

5

6

A

B

C

D

E

F

A

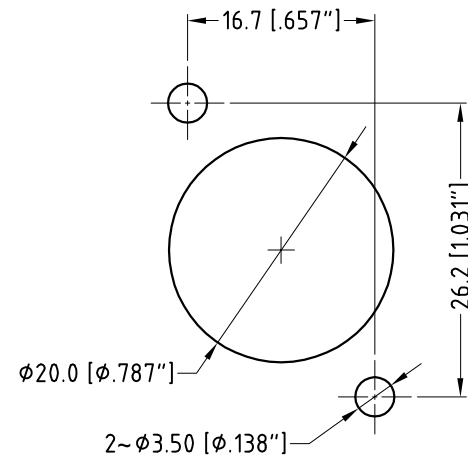
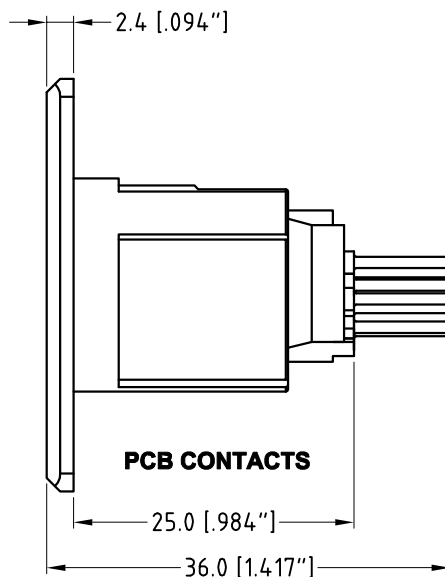
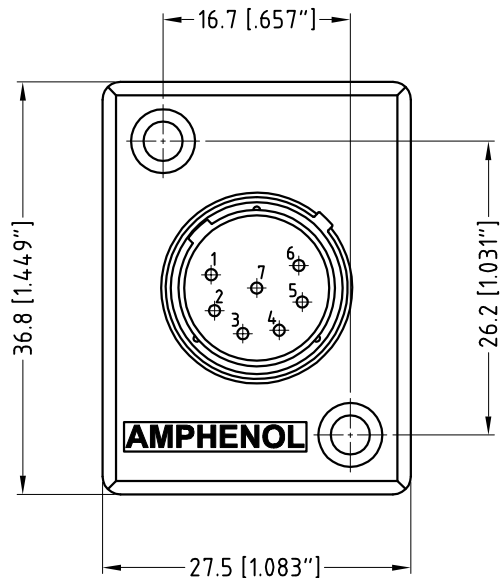
B

C

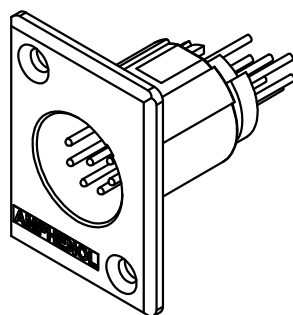
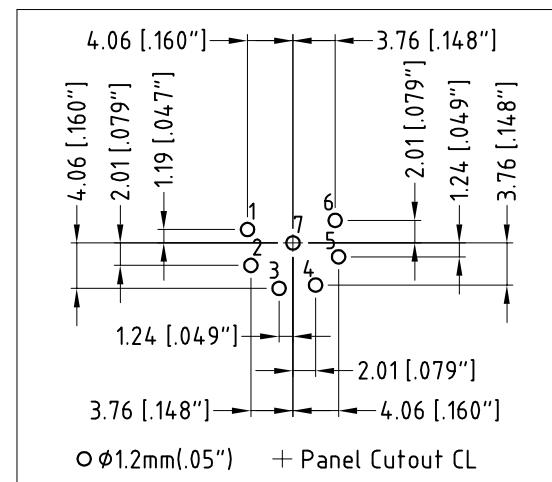
D

E

F



### PANEL CUT OUT



### ISO VIEW

CATALOGUE P/N	SHELL FINISH
AC7MPV	NICKEL
AC7MPVB	MATT BLACK



UNLESS OTHERWISE SPECIFIED TOLERANCE TO BE		THIS DOCUMENT IS THE PROPERTY OF AMPHENOL AUSTRALIA PTY. LTD.. NO PART THEREOF MAY BE REPRODUCED AND USED WITHOUT THE PRIOR WRITTEN CONSENT OF THE OWNER			0	FIRST ISSUE	L.V	04-04-06	----
LINEAR	ANGULAR				REV.	CHANGE DETAILS	BY	DATE	CHG/No
X ± 0.5	X° ± 1°				CAD FILE: 55010361000110	DRN: L.V	DATE: 04-04-06	TITLE: AC7MPV* PANEL MOUNT CUSTOMER DWG	
X.X ± 0.1	X°X' ± 30'				MATL: REFER TO COMPONENT	CKD: M.N.H	DATE: 01-05-06	Amphenol Australia Pty Ltd, 2 Fireways Blvd, Keysborough, Vic3173	
X.XX ± 0.05	X°X'X" ± 15"				FINISH: REFER TO COMPONENT	APP'D: P.M	DATE: 01-05-06	DRAWING NO. SHEET	
DO NOT SCALE					SCALE: 1.5:1 UOS	PART No: REFER TO CHART	SIZE: A4	55010361-000-1 1 OF 1	
DIMENSIONS IN MILLIMETRES		THIRD ANGLE PROJECTION							