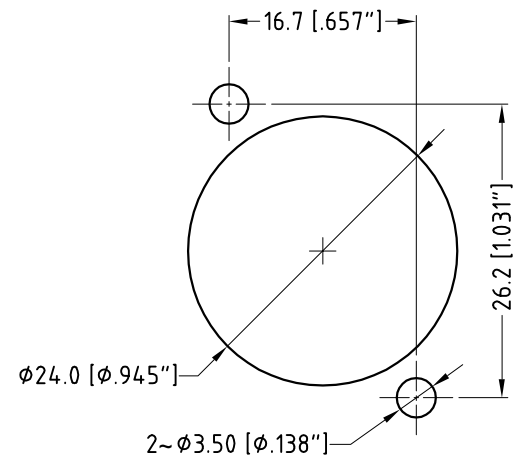
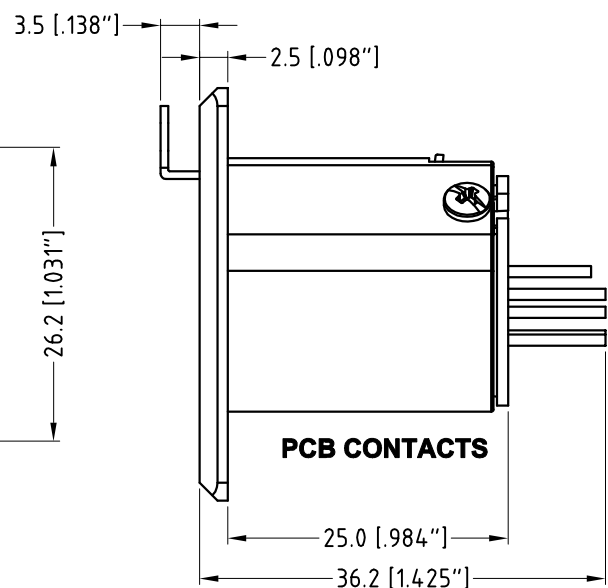
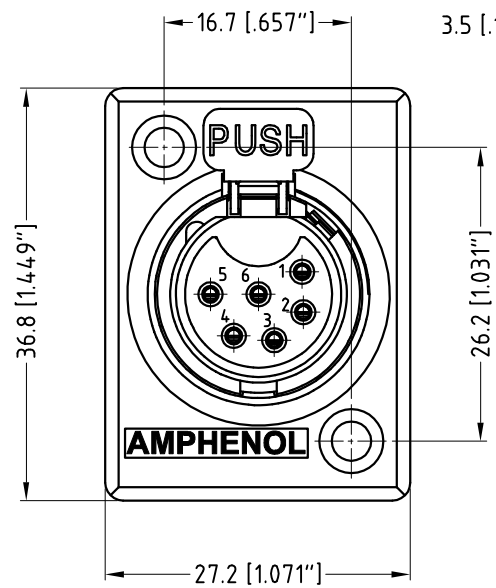


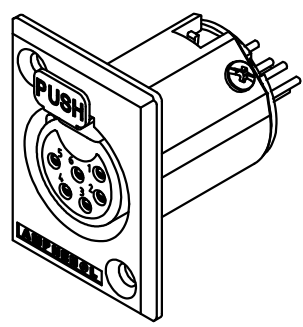
1 2 3 4 5 6

A
B
C
D
E
F

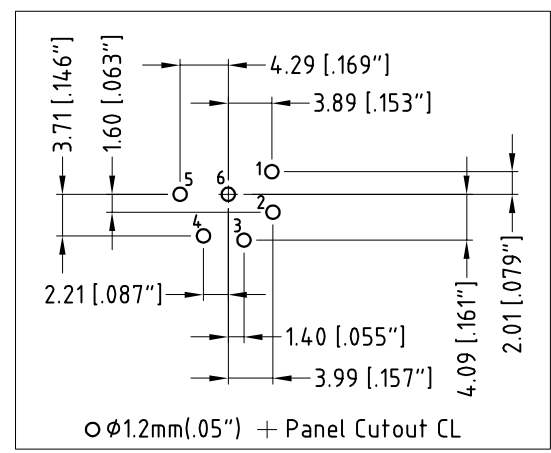
A
B
C
D
E
F



PANEL CUTOUT



ISO VIEW



CATALOGUE P/N	SHELL FINISH
AC6AFPZV	NICKEL
AC6AFPZVB	MATT BLACK

UNLESS OTHERWISE SPECIFIED TOLERANCE TO BE		THIS DOCUMENT IS THE PROPERTY OF AMPHENOL AUSTRALIA PTY. LTD.. NO PART THEREOF MAY BE REPRODUCED AND USED WITHOUT THE PRIOR WRITTEN CONSENT OF THE OWNER			0	FIRST ISSUE	L.V	04-04-06	----
LINEAR	ANGULAR	CAD FILE: 55010368000110	DRN: L.V	DATE: 04-04-06	REV.	CHANGE DETAILS	BY	DATE	CHG/No
X ± 0.5	X° ± 1°	MATL: REFER TO COMPONENT	CKD: M.N.H	DATE: 01-05-06					
X,X ± 0.1	X°X° ± 30°	FINISH: REFER TO COMPONENT	APP'D: P.M	DATE: 01-05-06					
X,Xx ± 0.05	X°X°X° ± 15°	DIMENSIONS IN MILLIMETRES		SCALE: 1.5:1 UOS	PART No: REFER TO CHART		SIZE: A4	TITLE: AC6AFPZV* PANEL MOUNT CUSTOMER DWG	
BREAK ALL SHARP EDGES AND REMOVE ALL BURRS		DO NOT SCALE		THIRD ANGLE PROJECTION		DRAWING NO. 55010368-000-1		SHEET 1 OF 1	
						Amphenol		Amphenol Australia Pty Ltd, 2 Fireways Blvd, Keysborough, Vic3175	

1 2 3 4 5 6