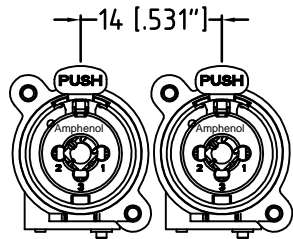
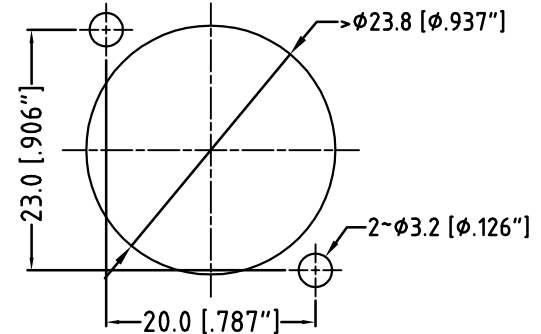
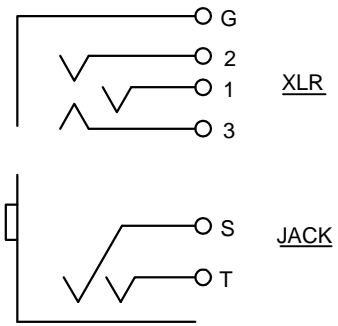


CONTACTS SCHEMATIC CHART



MIN MOUNTING PITCH
ACTUAL SIZE



PANEL CUT OUT
FRONT VIEW

UNLESS OTHERWISE SPECIFIED TOLERANCE TO BE	THIS DOCUMENT IS THE PROPERTY OF AMPHENOL AUSTRALIA PTY. LTD. NO PART THEREOF MAY BE REPRODUCED AND USED WITHOUT THE PRIOR WRITTEN CONSENT OF THE OWNER	0	FIRST ISSUE	M.H	05-10-07	----
		REV.	CHANGE DETAILS	BY	DATE	CHG/No
LINEAR	CAD FILE: 55010422000110	DRN:	M.H	DATE:	05-10-07	TITLE:
ANGULAR	MATL: REFER TO COMPONENT	CKD:	P.M	DATE:	05-10-07	ACJC55 C-TYPE
X ± 0.5	FINISH: REFER TO COMPONENT	APP'D:	P.M	DATE:	05-10-07	CUSTOMER DRAWING
X* ± 1*						
X,XX ± 0.1						
X,XX ± 0.05						
BREAK ALL SHARP EDGES AND REMOVE ALL BURRS						
DO NOT SCALE						
DIMENSIONS IN MILLIMETRES	THIRD ANGLE PROJECTION	SCALE:	2:1 UOS	PART No:	ACJC55	SIZE: A3
						55010422-000-1

Amphenol
Amphenol Australia Pty Ltd, 2 Fineways Blvd, Keysborough, Vic 3173
DRAWING NO. SHEET
2 OF 2