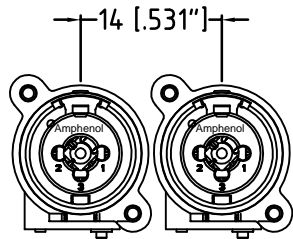
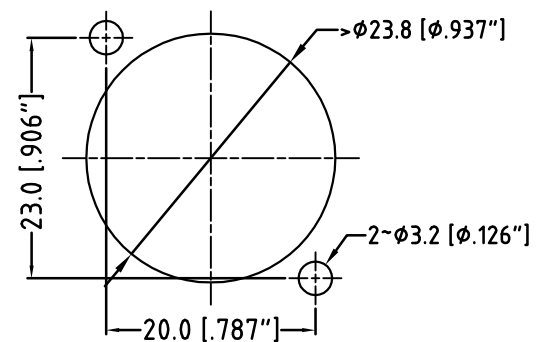
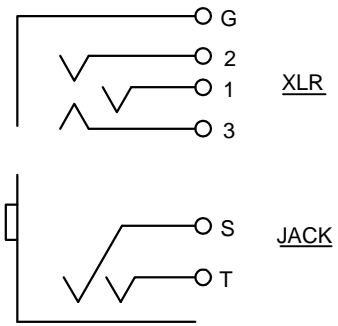


CONTACTS SCHEMATIC CHART



MIN MOUNTING PITCH
ACTUAL SIZE



PANEL CUT OUT
FRONT VIEW

UNLESS OTHERWISE SPECIFIED TOLERANCE TO BE		THIS DOCUMENT IS THE PROPERTY OF AMPHENOL AUSTRALIA PTY. LTD. NO PART THEREOF MAY BE REPRODUCED AND USED WITHOUT THE PRIOR WRITTEN CONSENT OF THE OWNER				0	FIRST ISSUE	M.H	05-10-07	----
LINEAR	ANGULAR	CAD FILE: 55010423000110				REV.	CHANGE DETAILS	BY	DATE	CHG/No
X ± 0.5	X° ± 1°	MATL: REFER TO COMPONENT	DRN: M.H	DATE: 05-10-07	TITLE: ACJC5SL C-TYPE CUSTOMER DRAWING		Amphenol			
X,X ± 0.1	X°X' ± 30'	FINISH: REFER TO COMPONENT	CKD: P.M	DATE: 05-10-07	DRAWING NO. 55010423-000-1		Amphenol Australia Pty Ltd, 2 Fineways Blvd, Keysborough, Vic 3173			
X,XX ± 0.05	X°X'X" ± 15'	DO NOT SCALE	APP'D: P.M	DATE: 05-10-07	PART No: ACJC5SL		SIZE: A3	SHEET 2 OF 2		
DIMENSIONS IN MILLIMETRES		THIRD ANGLE PROJECTION		SCALE: 2:1 UOS	DRAWING NO. 55010423-000-1					