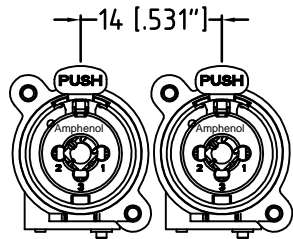
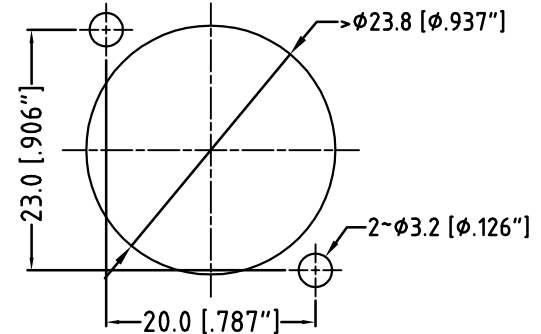
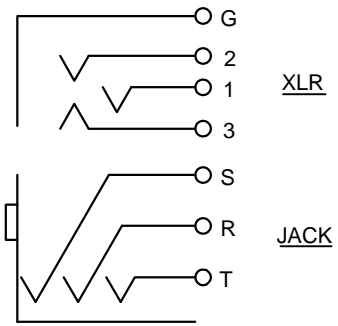


CONTACTS SCHEMATIC CHART



MIN MOUNTING PITCH  
ACTUAL SIZE



PANEL CUT OUT  
FRONT VIEW

UNLESS OTHERWISE SPECIFIED TOLERANCE TO BE	THIS DOCUMENT IS THE PROPERTY OF AMPHENOL AUSTRALIA PTY. LTD. NO PART THEREOF MAY BE REPRODUCED AND USED WITHOUT THE PRIOR WRITTEN CONSENT OF THE OWNER	0	FIRST ISSUE	M.H	05-10-07	----
		REV.	CHANGE DETAILS	BY	DATE	CHG/No
LINEAR	CAD FILE: 55010428000110	DRN:	M.H	DATE:	05-10-07	TITLE:
ANGULAR	MATL: REFER TO COMPONENT	CKD:	P.M	DATE:	05-10-07	ACJC6S C-TYPE
X ± 0.5	FINISH: REFER TO COMPONENT	APP'D:	P.M	DATE:	05-10-07	CUSTOMER DRAWING
X* ± 1*						
X,XX ± 0.1						
X,XX ± 0.05						
BREAK ALL SHARP EDGES AND REMOVE ALL BURRS						
DO NOT SCALE						
DIMENSIONS IN MILLIMETRES	THIRD ANGLE PROJECTION	SCALE:	2:1 UOS	PART No:	ACJC6S	SIZE: A3
						55010428-000-1

**Amphenol**  
Amphenol Australia Pty Ltd, 2 Fineways Blvd, Keysborough, Vic 3173  
DRAWING NO. SHEET  
2 OF 2