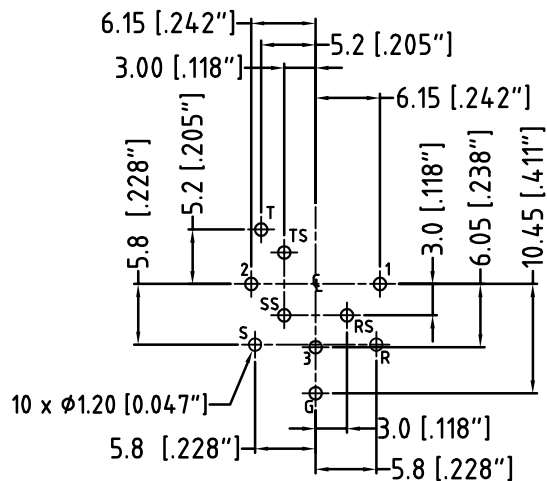
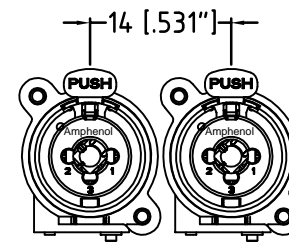
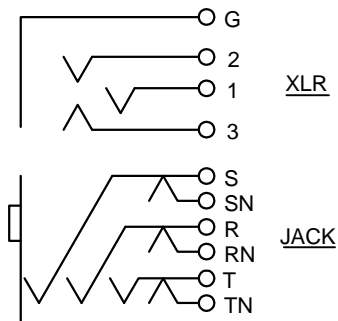


PANEL CUT OUT  
FRONT VIEW



PCB LAYOUT  
(component side)  
TOLERANCE: ±0.05mm [0.002"]

CONTACTS SCHEMATIC CHART



MIN MOUNTING PITCH  
ACTUAL SIZE



UNLESS OTHERWISE SPECIFIED TOLERANCE TO BE		THIS DOCUMENT IS THE PROPERTY OF AMPHENOL AUSTRALIA PTY. LTD.. NO PART THEREOF MAY BE REPRODUCED AND USED WITHOUT THE PRIOR WRITTEN CONSENT OF THE OWNER				0	FIRST ISSUE	M.H	05-10-07	----
LINEAR	ANGULAR	CAD FILE: 55010436000110				REV.	CHANGE DETAILS	BY	DATE	CHG/No
X ± 0.5	X° ± 1°	DRN:	M.H	DATE:	05-10-07	TITLE:		ACJC9V		
X.X ± 0.1	X°X' ± 30'	MATL:	REFER TO COMPONENT	CKD:	P.M	DATE:	05-10-07	C-TYPE		
X.XX ± 0.05	X°X'X" ± 15'	FINISH:	REFER TO COMPONENT	APP'D:	P.M	DATE:	05-10-07	CUSTOMER DRAWING		
DO NOT SCALE		DIMENSIONS IN MILLIMETRES		THIRD ANGLE PROJECTION	SCALE:	2:1 UOS	PART No:	ACJC9V	SIZE:	A3
								Amphenol		
								Amphenol Australia Pty Ltd, 2 Fineways Blvd, Keysborough, Vic 3173		
								DRAWING NO.		SHEET
								55010436-000-1		2 OF 2