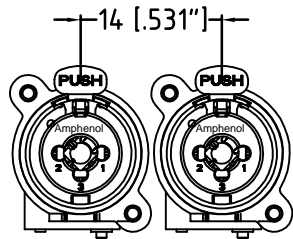
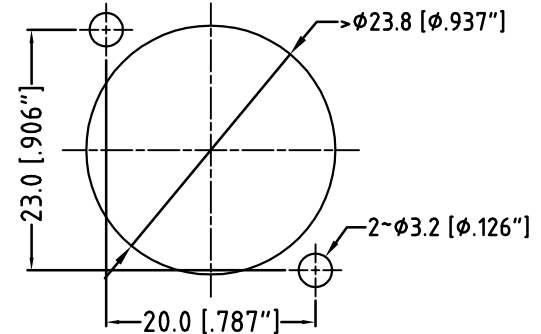
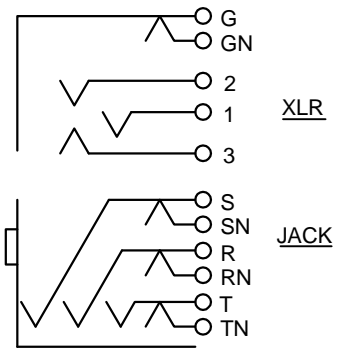


CONTACTS SCHEMATIC CHART



MIN MOUNTING PITCH
ACTUAL SIZE



PANEL CUT OUT
FRONT VIEW

UNLESS OTHERWISE SPECIFIED TOLERANCE TO BE		THIS DOCUMENT IS THE PROPERTY OF AMPHENOL AUSTRALIA PTY. LTD. NO PART THEREOF MAY BE REPRODUCED AND USED WITHOUT THE PRIOR WRITTEN CONSENT OF THE OWNER				0	FIRST ISSUE	M.H	05-10-07	----
LINEAR	ANGULAR					REV.	CHANGE DETAILS	BY	DATE	CHG/No
X ± 0.5	X° ± 1°	CAD FILE:	55010440000110	DRN:	M.H	DATE:	05-10-07	TITLE:		
X.X ± 0.1	X°X' ± 30'	MATL:	REFER TO COMPONENT	CKD:	P.M	DATE:	05-10-07	ACJC10S C-TYPE		
X.XX ± 0.05	X°X'X" ± 15'	DO NOT SCALE	FINISH: REFER TO COMPONENT	APP'D:	P.M	DATE:	05-10-07	CUSTOMER DRAWING		
DIMENSIONS IN MILLIMETRES		THIRD ANGLE PROJECTION		SCALE:	2:1 UOS	PART No:	ACJC10S	SIZE:	A3	55010440-000-1
								Amphenol		
								Amphenol Australia Pty Ltd, 2 Fireways Blvd, Keysborough, Vic 3173		
								DRAWING NO.		SHEET
								2 OF 2		