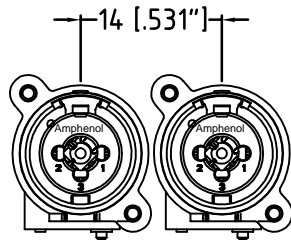
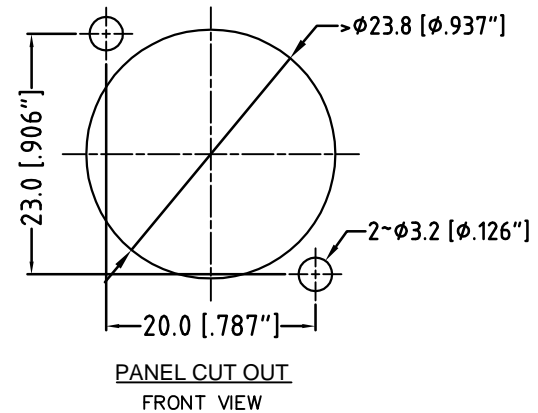
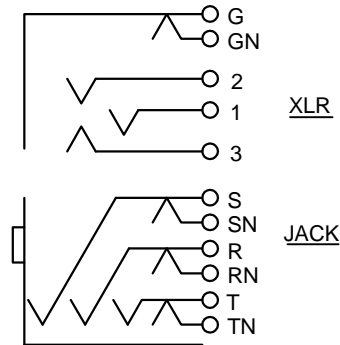


CONTACTS SCHEMATIC CHART



MIN MOUNTING PITCH
ACTUAL SIZE



PANEL CUT OUT
FRONT VIEW

UNLESS OTHERWISE SPECIFIED TOLERANCE TO BE		THIS DOCUMENT IS THE PROPERTY OF AMPHENOL AUSTRALIA PTY. LTD. NO PART THEREOF MAY BE REPRODUCED AND USED WITHOUT THE PRIOR WRITTEN CONSENT OF THE OWNER				0	FIRST ISSUE	M.H	05-10-07	----
LINEAR	ANGULAR	CAD FILE: 55010441000110	DRN: M.H	DATE: 05-10-07	REV.	CHANGE DETAILS	BY	DATE	CHG/No	
X ± 0.5	X° ± 1°	MATL: REFER TO COMPONENT	CKD: P.M	DATE: 05-10-07	TITLE: ACJC10SL C-TYPE CUSTOMER DRAWING		Amphenol			
X.X ± 0.1	X°X' ± 30'	FINISH: REFER TO COMPONENT	APP'D: P.M	DATE: 05-10-07	DRAWING NO. 55010441-000-1		Amphenol Australia Pty Ltd, 2 Fireways Blvd, Keysborough, Vic 3173			
X.XX ± 0.05	X°X'X" ± 15'	DO NOT SCALE		THIRD ANGLE PROJECTION	SCALE: 2:1 UOS	PART No: ACJC10SL	SIZE: A3	SHEET 2 OF 2		