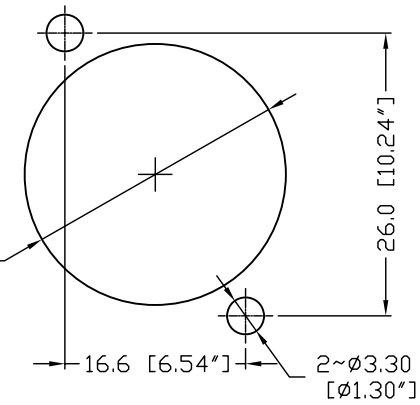
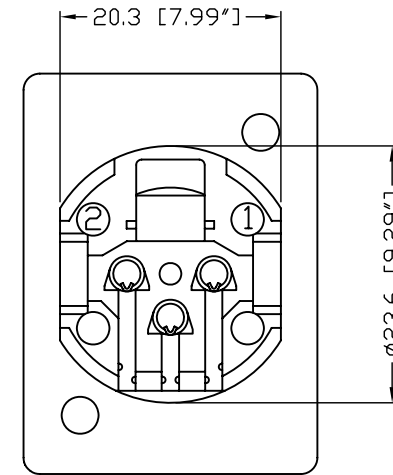
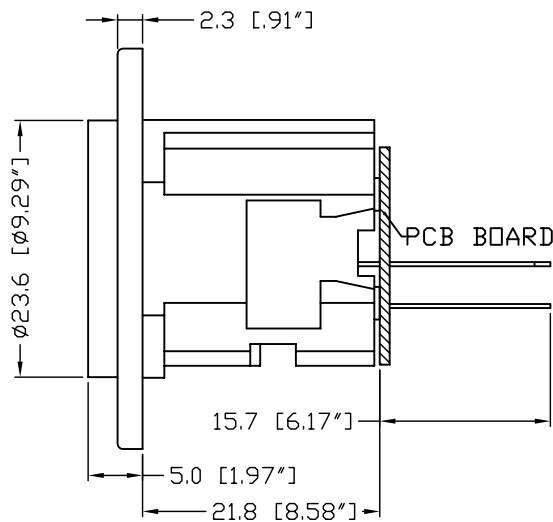
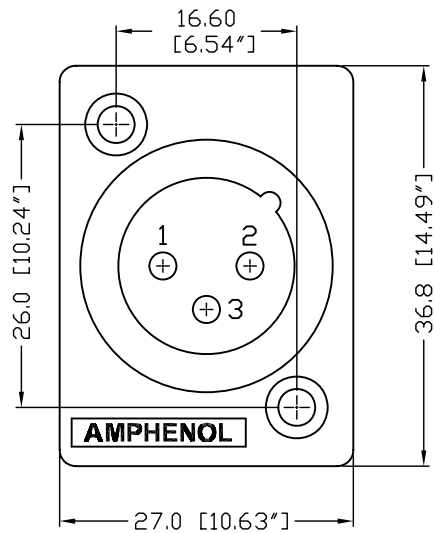


PCB FOOT PRINT



PANEL CUT OUT



UNLESS OTHERWISE SPECIFIED TOLERANCE TO BE		THIS DOCUMENT IS THE PROPERTY OF AMPHENOL AUSTRALIA PTY. LTD. NO PART THEREOF MAY BE REPRODUCED AND USED WITHOUT THE PRIOR WRITTEN CONSENT OF THE OWNER			0	FIRST ISSUE	M.H	12-06-07	----
LINEAR	ANGULAR				REV.	CHANGE DETAILS	BY	DATE	CHG/No
X ± 0.5 X.X ± 0.20 X.XX ± 0.10	X° ± 1° X'X" ± 30' X'X'X" ± 15'	CAD FILE: 55010470000110	DRN: M.H	DATE: 12-06-07	TITLE: AC3MPPV PCB PLASTIC P-MOUNT CUSTOMER DWG		Amphenol		
BREAK ALL SHARP EDGES AND REMOVE ALL BURRS		MATL: REFER TO COMPONENT	CKD: M.N.H	DATE: 12-07-07			Amphenol Australia Pty.Ltd, 2 Fireweys Blvd, Keysborough, Vic3173		
DO NOT SCALE		FINISH: REFER TO COMPONENT	APP'D: M.N.H	DATE: 12-07-07			DRAWING NO.	SHEET	
DIMENSIONS IN MILLIMETRES		THIRD ANGLE PROJECTION		SCALE: 2:1 UOS	PART No: 55010470-000	SIZE: A3	55010470-000-1		1 OF 1