

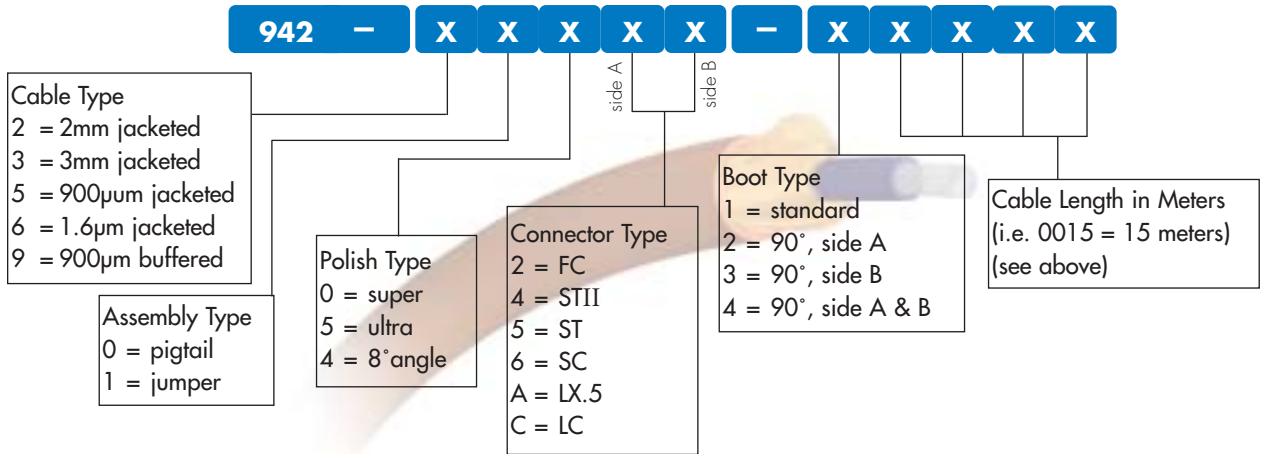
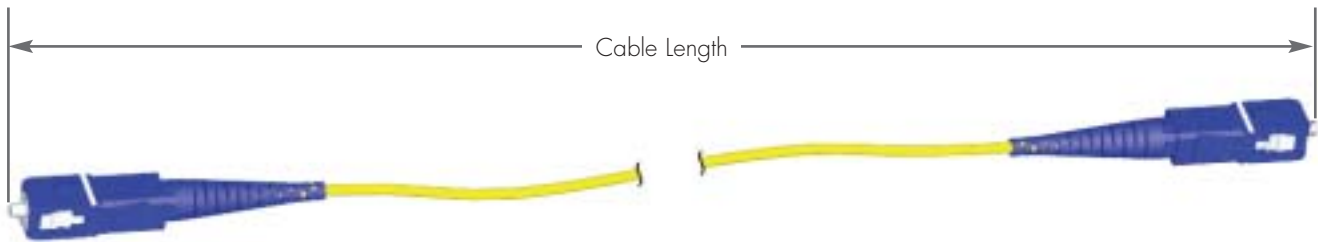
Single Mode Assemblies

Amphenol is a premier manufacturer of simplex, single mode patch cords in the telecommunications industry, consistently meeting or exceeding many of the industry standard requirements for optical transmission loss, reflectance, visual end-face specifications and endface geometry.

Amphenol offers standard patch cords in a variety of configurations, demonstrated in the diagrams below. Custom cable assemblies are available with ultra-tight optical specifications, precise length tolerances, or custom labeling and packaging. For custom patch cord requirements, please contact our Customer Service Department.



Single Mode Cable Assembly Family



Note: For pigtailed, connector type side A and side B are identical (i.e. SC pigtail: connector type = 66).
For hybrid jumpers, use the lowest number first (i.e. SC to FC : connector type = 26).
LX.5 and LC cable assemblies not available with 3mm cable.
90° Boots are not available with 900µm fiber and certain connectors.