

MTP® Assemblies



The MTP® connector is the first industry standard connector to use a composite molded ferrule with multi-fibre push on connection. The MTP is available for both 8 and 12 fibres.

The compact MTP® connectors provides quick and reliable connections utilising precision alignment pins to maintain fibre position accuracy. The precision alignment pins also ensure connector integrity and durability over repeated matings. In addition, the MTP® has a keyed and colour coded, push-pull housing.

Technical specifications

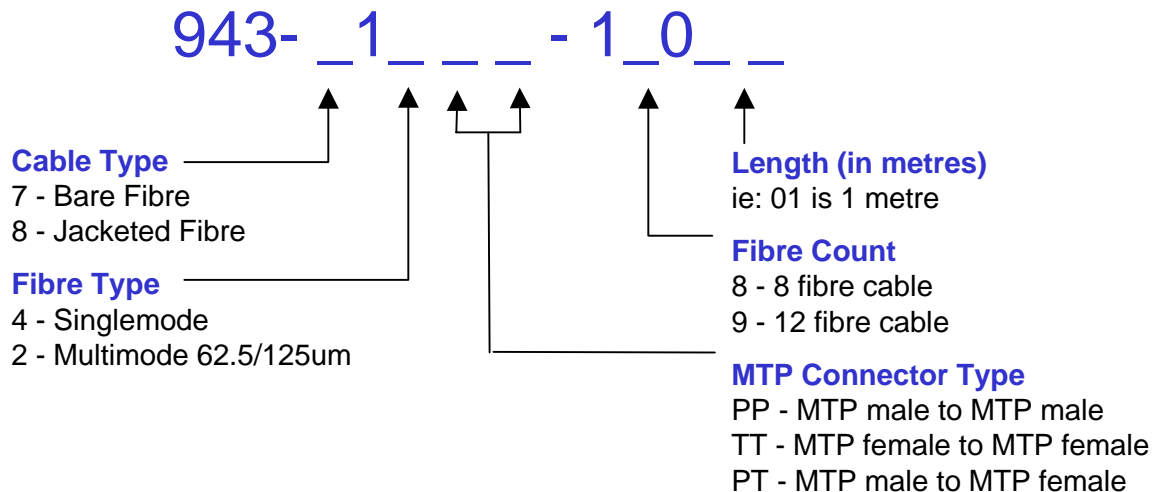
SINGLEMODE

Standard Insertion Loss: $\leq 0.25\text{dB}$ Typical
 $\leq 0.75\text{dB}$ Max
 Gold Insertion Loss: $\leq 0.20\text{dB}$ Typical
 $\leq 0.35\text{dB}$ Max
 Return Loss: $\leq -55\text{dB}$ (Angled)

MULTIMODE

Insertion Loss: $\leq 0.35\text{dB}$ Typical
 $\leq 0.75\text{dB}$ Max

Assembly Code



For alternative connectors, adapters or gold insertion loss product, please contact Amphenol

MTP is a registered trademark of US Conec Ltd.