

eco|mate® & C16-3 PRODUCT SHORTFORM

Amphenol Australia Pty Ltd

Quick Facts:

- eco|mate boasts an IP65/67 protection class rating in mated condition

- eco|mate circular threaded coupling connectors available in 3+PE and 6+PE, complete with clamping ring or internal strain relief

- eco|mate 3+PE, offers a screw type (0.75-2.5mm²) termination rated up to 16A @ 400VAC and is IP65 when mated

- eco|mate 6+PE, offers a solder type (max.0.75mm²) termination rated up to 10A @ 250VAC, or a crimp type (0.14-1.5mm²) termination rated up to 13A @ 250VAC and is IP67 when mated

- The stocked C16-3 5+PE, offers a screw type termination rated up to 21A @ 400VAC and is IP65 when mated


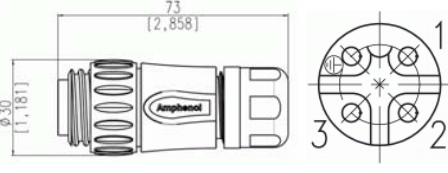

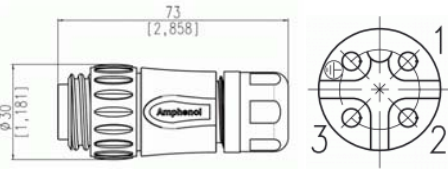

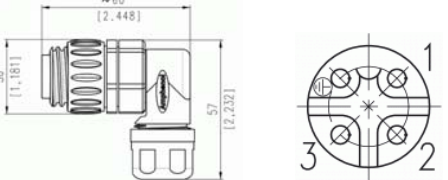

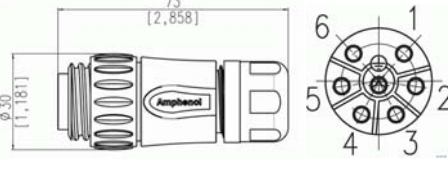

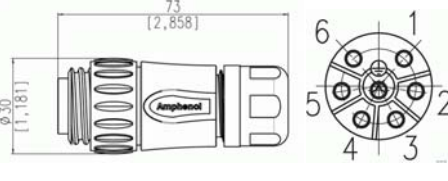

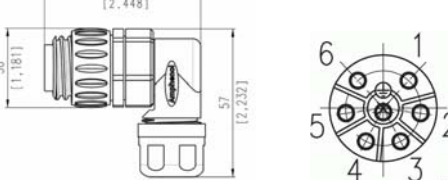
- Housing components made from premium Polyamide 6.6 molding material

- Mechanical durability of 500 Mating cycles




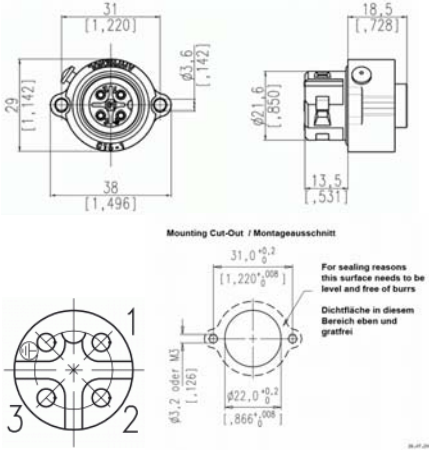

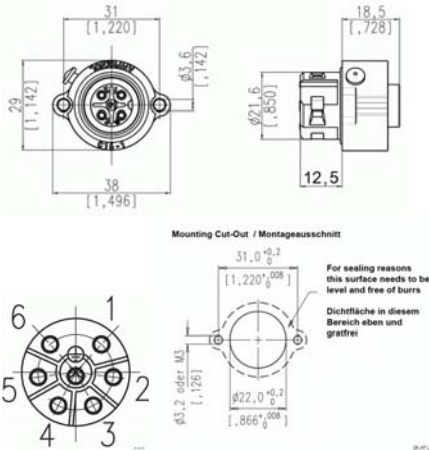

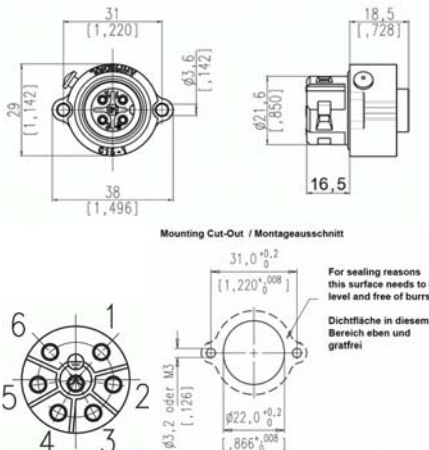
eco | mate® & C16-3 - PRODUCT SHORTFORM

ecomate 3+PE & 6+PE

PRODUCT – FIGURE	DRAWING	DESCRIPTION	PART NUMBER
		MALE straight cable connector, with internal strain relief, screw termination, blue back shell, 3+PE	C016 20H003 110 10
		MALE straight cable connector, with internal strain relief, screw termination, black back shell, 3+PE	C016 20H003 110 12
		MALE right angle cable connector, strain relief with clamping ring, screw termination, black back shell, 3+PE	C016 20K003 100 12
		MALE straight cable connector, with internal strain relief, solder termination, black back shell, 6+PE	C016 30H006 110 12
		MALE straight cable connector, strain relief with clamping ring, crimp termination, black back shell, 6+PE	C016 10H006 000 12
		MALE right angled cable connector, strain relief with clamping ring, solder termination, black back shell, 6+PE	C016 30K006 100 12


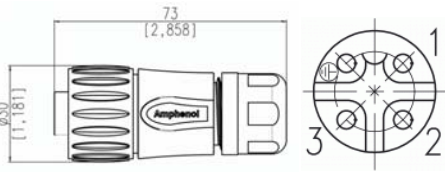

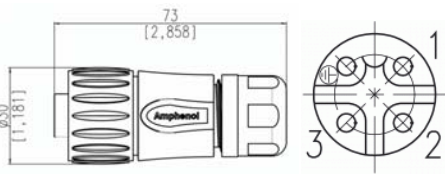

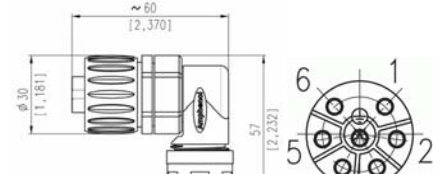

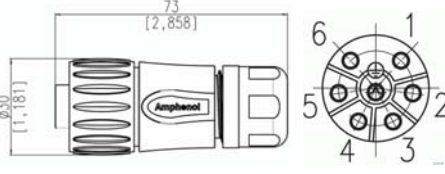

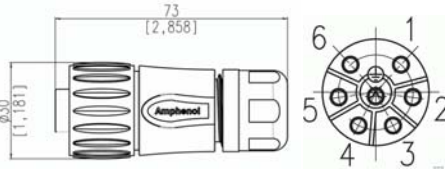

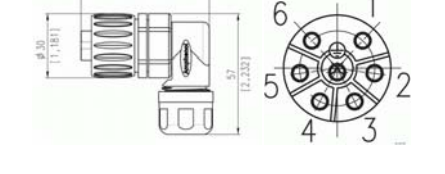
eco | mate® & C16-3 - PRODUCT SHORTFORM

ecomate 3+PE & 6+PE continued....

PRODUCT - FIGURE	DRAWING	DESCRIPTION	PART NUMBER
	 <p>Mounting Cut-Out / Montageausschnitt</p> <p>For sealing reasons this surface needs to be level and free of burrs Dichtfläche in diesem Bereich eben und gratfrei</p>	<p>FEMALE receptacle, screw termination, black, 3+PE</p>	<p>C016 20G003 100 12</p>
	 <p>Mounting Cut-Out / Montageausschnitt</p> <p>For sealing reasons this surface needs to be level and free of burrs Dichtfläche in diesem Bereich eben und gratfrei</p>	<p>FEMALE receptacle, solder termination, black, 6+PE</p>	<p>C016 30G006 100 12</p>
	 <p>Mounting Cut-Out / Montageausschnitt</p> <p>For sealing reasons this surface needs to be level and free of burrs Dichtfläche in diesem Bereich eben und gratfrei</p>	<p>FEMALE receptacle, crimp termination, black, 6+PE</p>	<p>C016 10G006 000 12</p>


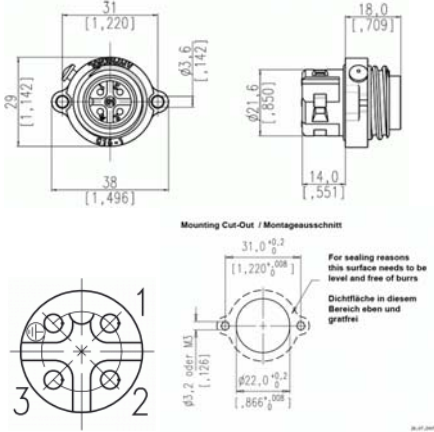

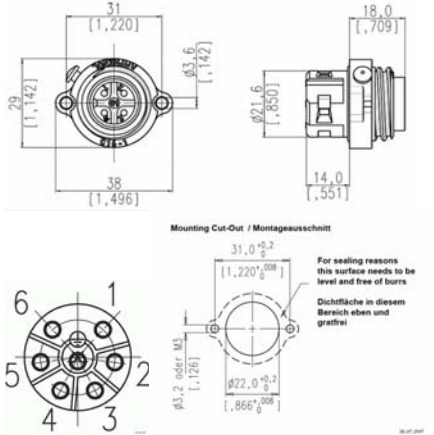

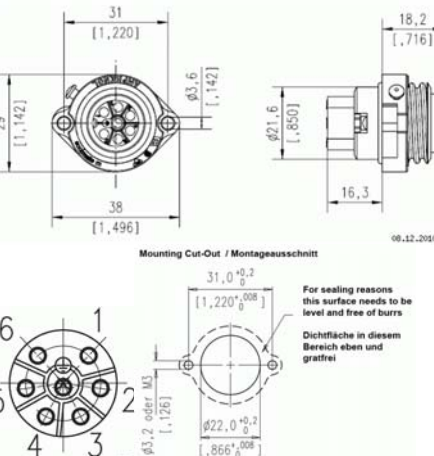
eco | mate® & C16-3 - PRODUCT SHORTFORM

ecomate 3+PE & 6+PE continued....

PRODUCT – FIGURE	DRAWING	DESCRIPTION	PART NUMBER
		FEMALE straight cable connector, with internal strain relief, screw termination, blue back shell, 3+PE	C016 20D003 110 10
		FEMALE straight cable connector, with internal strain relief, screw termination, black back shell, 3+PE	C016 20D003 110 12
		FEMALE right angle cable connector, strain relief with clamping ring, screw termination, black back shell, 3+PE	C016 20F003 100 12
		FEMALE straight cable connector, with internal strain relief, solder termination, black back shell, 6+PE	C016 30D006 110 12
		FEMALE straight cable connector, strain relief with clamping ring, crimp termination, black back shell, 6+PE	C016 10D006 000 12
		FEMALE right angled cable connector, strain relief with clamping ring, solder, black back shell, 6+PE	C016 30F006 100 12



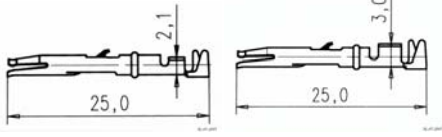

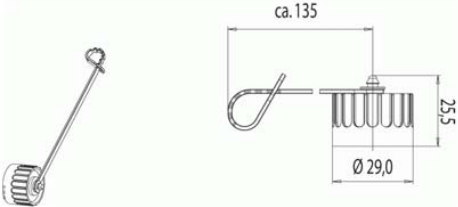

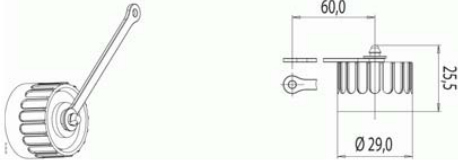

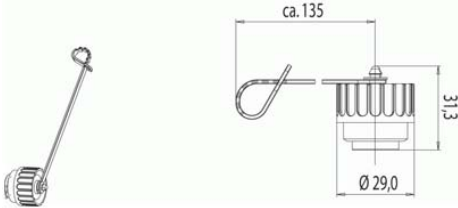

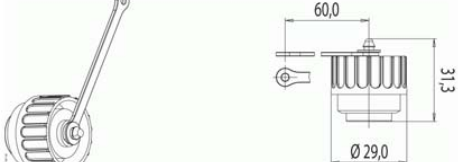
eco | mate® & C16-3 - PRODUCT SHORTFORM

ecomate 3+PE & 6+PE continued....

PRODUCT – FIGURE	DRAWING	DESCRIPTION	PART NUMBER
		<p>MALE receptacle, screw termination, black, 3+PE</p>	<p>C016 20C003 100 12</p>
		<p>MALE receptacle, solder termination, black, 6+PE</p>	<p>C016 30C006 100 12</p>
		<p>MALE receptacle, crimp termination, black, 6+PE</p>	<p>C016 10C006 000 12</p>




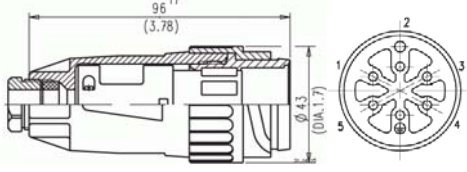

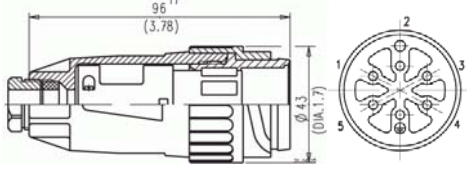

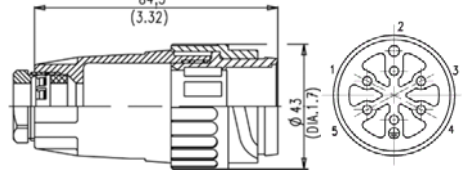
eco | mate® & C16-3 - PRODUCT SHORTFORM

ecomate 3+PE & 6+PE continued....

PRODUCT – FIGURE	DRAWING	DESCRIPTION	PART NUMBER
		PIN CONTACT (Pack of 100pcs) Wire gauge: 0.14 - 0.5mm ² (Silver Plated) 0.5 to 1.5mm ² (Silver Plated) 0.5 to 1.5mm ² (Gold Plated)	VN 01 016 0011 (1) VN 01 016 0004 (1) VN 01 016 0004 (2)
		SOCKET CONTACT (Pack of 100pcs) Wire gauge: 0.14 - 0.5mm ² (Silver Plated) 0.5 to 1.5mm ² (Silver Plated) 0.5 to 1.5mm ² (Gold Plated)	VN 02 016 0003 (1) VN 02 016 0002 (1) VN 02 016 0002 (2)
		PROTECTIVE COVER for male cable connector	C016 00U000 010 12
		PROTECTIVE COVER for male receptacle	C016 00U000 000 12
		PROTECTIVE COVER for female cable connector	C016 00V000 010 12
		PROTECTIVE COVER for female receptacle	C016 00V000 000 12


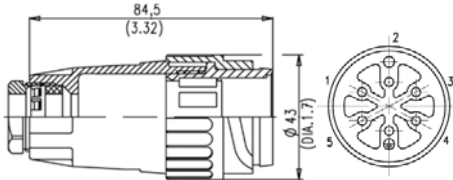

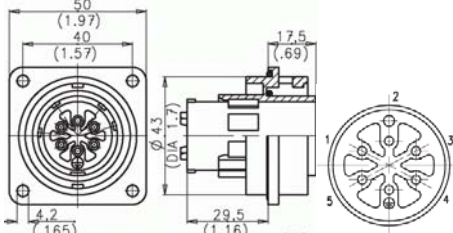

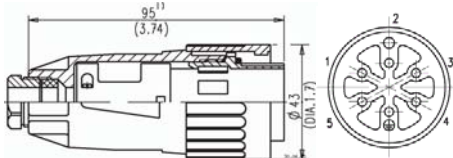

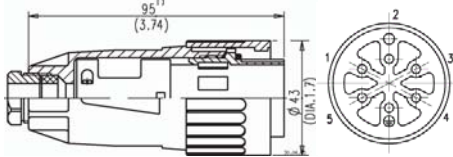

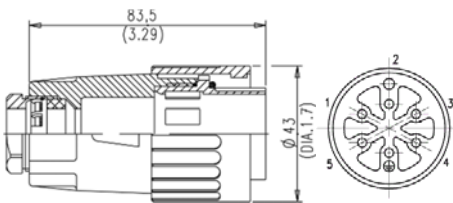

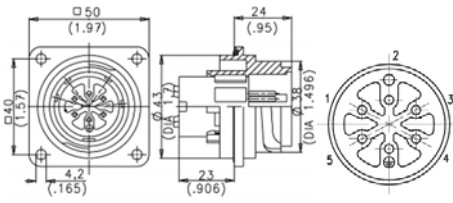
eco | mate® & C16-3 - PRODUCT SHORTFORM

ecomate 3+PE & 6+PE continued....

PRODUCT – FIGURE	DRAWING	DESCRIPTION	PART NUMBER
		HAND CRIMPING TOOL	TA 0100 146
		FRONT RELEASE REMOVAL TOOL for use with ecomate contacts: .N01 016 0011(.) .N01 016 0004(.) .N02 016 0003(.) .N02 016 0002(.)	FG 0300 146 1
C16-3 5+PE			
		MALE straight cable connector, shell size 2, long style I with internal strain relief, 12-14mm OD cable outlet, screw termination, 5+PE	C016 20I005 103 2
		MALE straight cable connector, shell size 2, long style I with internal strain relief, 14-16mm OD cable outlet, screw termination, 5+PE	C016 20I005 104 2
		MALE straight cable connector, shell size 2, short style H with clamping ring, 10-12mm OD cable outlet, screw termination, 5+PE	C016 20H005 103 2


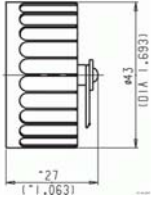

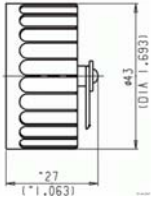

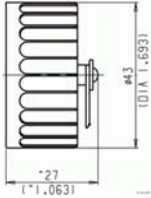

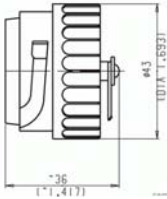
eco | mate® & C16-3 - PRODUCT SHORTFORM

C16-3 5+PE continued....

PRODUCT – FIGURE	DRAWING	DESCRIPTION	PART NUMBER
		MALE straight cable connector, shell size 2, short style H with clamping ring, 12-14mm OD cable outlet, screw termination, 5+PE	C016 20H005 104 2
		FEMALE receptacle, shell size 2, style G, screw termination, 5+PE	C016 20G005 100 2
		FEMALE straight cable connector, shell size 2, long style E with internal strain relief, 12-14mm OD cable outlet, screw termination, 5+PE	C016 20E005 103 2
		FEMALE straight cable connector, shell size 2, long style E with internal strain relief, 14-16mm OD cable outlet, screw termination, 5+PE	C016 20E005 104 2
		FEMALE straight cable connector, shell size 2, short style D with clamping ring, 12-14mm OD cable outlet, screw termination, 5+PE	C016 20D005 104 2
		MALE receptacle, shell size 2, style C, screw termination, 5+PE	C016 20C005 100 2

eco | mate® & C16-3 - PRODUCT SHORTFORM

C16-3 5+PE continued....

PRODUCT – FIGURE	DRAWING	DESCRIPTION	PART NUMBER
		PROTECTIVE COVER for male receptacle	C016 00U000 000 2
		PROTECTIVE COVER for male cable connector	C016 00U000 010 2
		PROTECTIVE COVER for female receptacle	C016 00V000 000 2
		PROTECTIVE COVER for female cable connector	C016 00V000 010 2

Other options available (but not stocked at Amphenol Australia) include:

	C 16-3 Shell Size 2 12+PE		C 16-3 Shell Size 1 8+PE
	C 16-3 Shell Size 2 14+PE		C 16-3 Shell Size 1 14+PE
	C 16-3 Shell Size 2 19+PE		C 16-3 Shell Size 1 12+3+PE
	C 16-3 Shell Size 1 2+PE		C 16-3 Shell Size 1 17+PE
	C 16-3 Shell Size 1 3+PE		C 16-L Shell Size 2 4+PE