

*Now you're connected!*

## heavy | mate® - C146 PRODUCT SHORTFORM

Amphenol Australia Pty Ltd


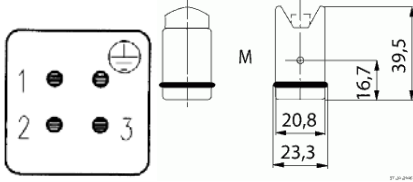

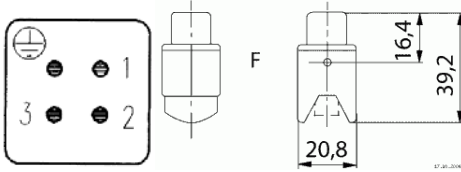

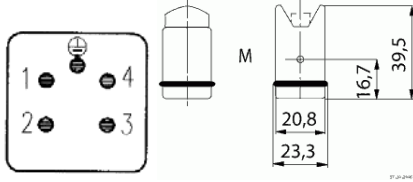

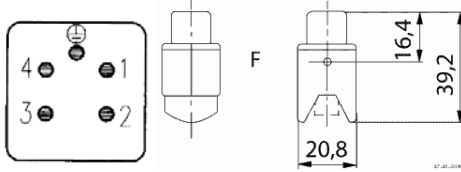

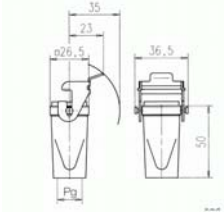

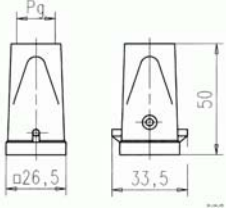

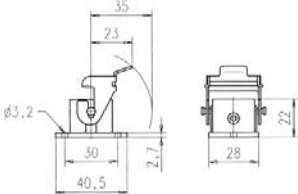
**Quick Facts:**

- C146A available in 3+PE and 4+PE
- C146A offers a narrow style with a screw termination insert rated to 18A @ 400VAC 3/4 +PE
- C146A screw terminals can accommodate wire gauge 0.25 – 2.5mm<sup>2</sup>.
- C146E contact insert for screw termination with wire protection is rated to: 22A @ 400VAC 6+PE
- 19A @ 400VAC 10+PE
- 19A @ 400VAC 16+PE
- 18A @ 400VAC 24+PE
- C146E stocked in 6+PE, 10+PE, 16+PE, 24+PE
- C146E screw terminals can accommodate wire gauge 0.25 – 2.5mm<sup>2</sup>
- C146E offers a high protection against mismatching. (Female inserts with funnel shaped contact entry avoids mismatching).
- C146E housings are supplied complete with a PG threaded stud.
- C146E housings are rated up to IP65 when mated.




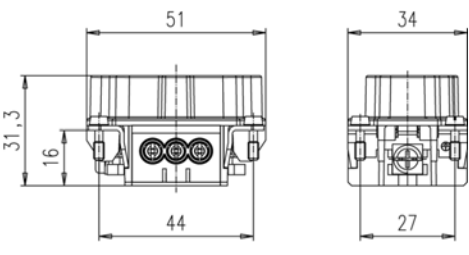

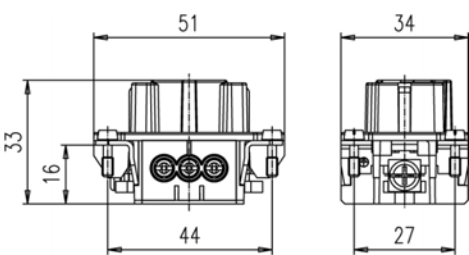

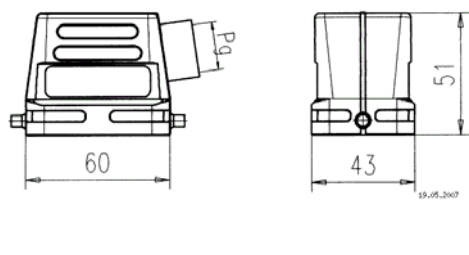

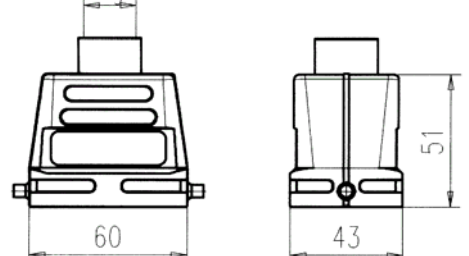

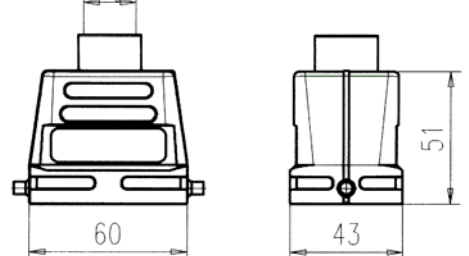
## heavy | mate® - C146 PRODUCT SHORTFORM

### C146A – 3 / 4 POLE

PRODUCT – FIGURE	DRAWING	DESCRIPTION	PART NUMBER
		<b>INSERT</b> C146A 3+PE male, 400VAC, 10A	C146 10A003 002 4
		<b>INSERT</b> C146A 3+PE female, 400VAC, 10A	C146 10B003 002 4
		<b>INSERT</b> C146A 4+PE male, 400VAC, 10A	C146 10A004 002 4
		<b>INSERT</b> C146A 4+PE female, 400VAC, 10A	C146 10B004 002 4
		<b>HOOD</b> Metal, C146A 3/4 pole, cable to cable coupling, PG11	C146 30G003 804 4
		<b>HOOD</b> Metal, C146A 3/4 pole, top entry, PG11	C146 30G003 600 4
		<b>HOUSING</b> Metal, for C146A 3/4 pole, bulkhead mounting c/w gasket	C146 30F003 000 4


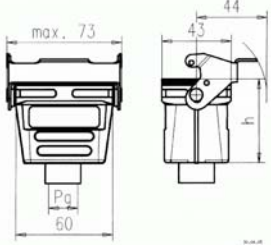

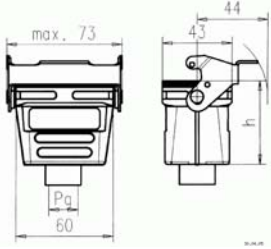

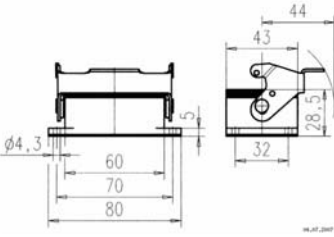

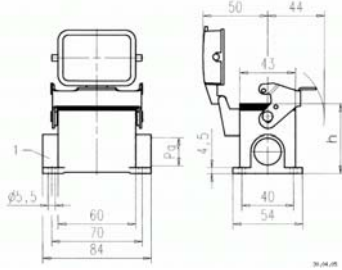

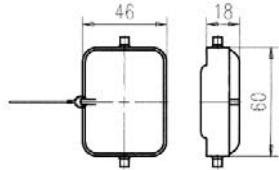

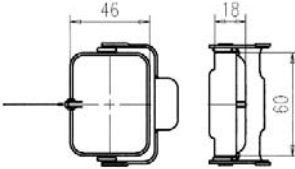
## heavy | mate® - C146 PRODUCT SHORTFORM

### C146E – 6 + PE

PRODUCT – FIGURE	DRAWING	DESCRIPTION	PART NUMBER
		<b>INSERT</b> C146E 6+PE male, 400VAC, 22A with wire protection	<b>C146 10A006 102 1</b>
		<b>INSERT</b> C146E 6+PE female, 400VAC, 22A with wire protection	<b>C146 10B006 102 1</b>
		<b>HOOD</b> Metal, C146E 6+PE, side entry, low profile, PG13.5	<b>C146 10G006 500 1</b>
		<b>HOOD</b> Metal, C146E 6+PE, top entry, low profile, PG13.5	<b>C146 10G006 600 1</b>
		<b>HOOD</b> Metal, C146E 6+PE, top entry, low profile, PG16	<b>C146 10G006 601 1</b>

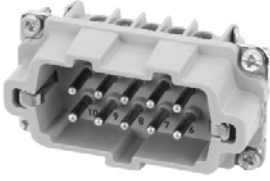
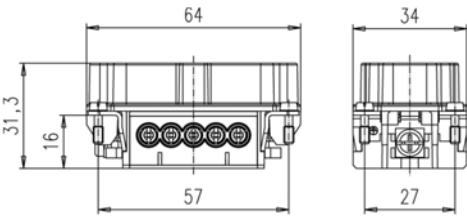
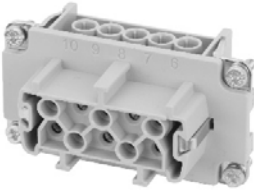
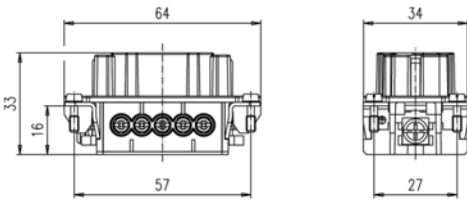

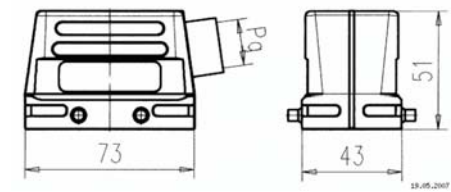

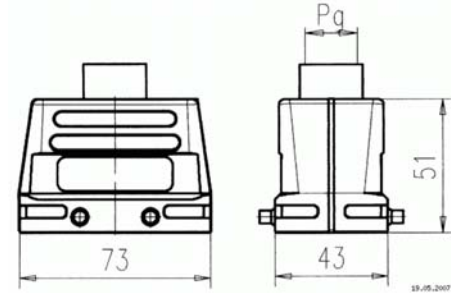

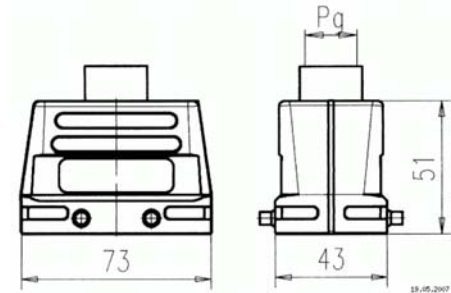
## heavy | mate® - C146 PRODUCT SHORTFORM

### C146E – 6 + PE

PRODUCT – FIGURE	DRAWING	DESCRIPTION	PART NUMBER
		<b>COUPLING HOOD</b> Metal, C146E 6+PE, low profile, PG13.5, H = 52mm	<b>C146 10G006 804 1</b>
		<b>COUPLING HOOD</b> Metal, C146E 6+PE, low profile, PG16, H = 52mm	<b>C146 10G006 805 1</b>
		<b>HOUSING</b> Metal, C146E 6+PE, bulkhead mounting	<b>C146 10F006 000 1</b>
		<b>HOUSING</b> Metal, C146E 6+PE, double side entry, PG 16, H = 54mm	<b>C146 10F006 606 1</b>
		<b>PROTECTIVE COVER</b> For C146E 6+E housing	<b>C146 10Z006 100 1</b>
		<b>PROTECTIVE COVER</b> For C146E 6+E hood	<b>C146 10Z006 200 1</b>


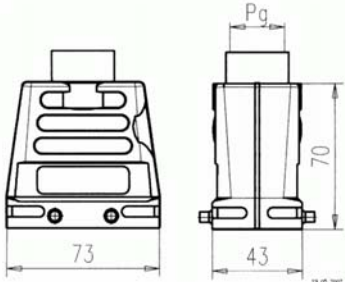

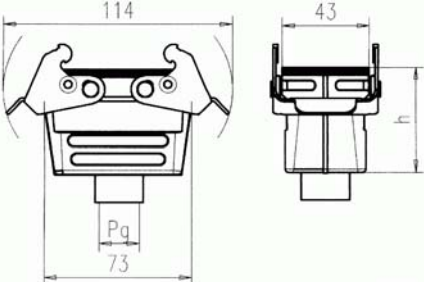

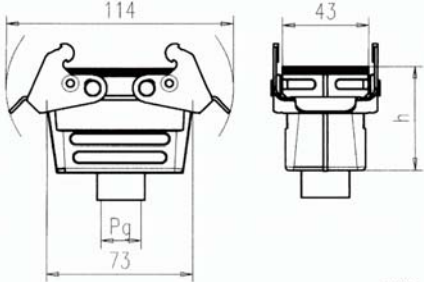

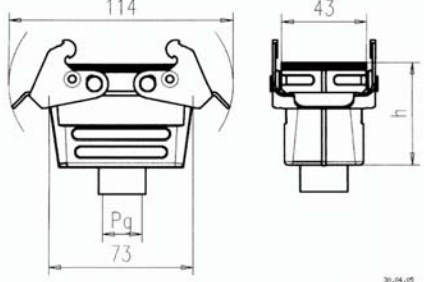

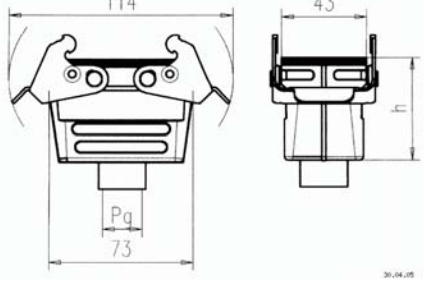
## heavy | mate® - C146 PRODUCT SHORTFORM

### C146E – 10 + PE

PRODUCT – FIGURE	DRAWING	DESCRIPTION	PART NUMBER
		<b>INSERT</b> C146E 10+PE male, 400VAC, 19A with wire protection	C146 10A010 102 1
		<b>INSERT</b> C146E 10+PE female, 400VAC, 19A with wire protection	C146 10B010 102 1
		<b>HOOD</b> Metal, C146E 10+PE, side entry, low profile, PG16	C146 10G010 500 1
		<b>HOOD</b> Metal, C146E 10+PE, top entry, low profile, PG16	C146 10G010 600 1
		<b>HOOD</b> Metal, C146E 10+PE, top entry, low profile, PG21	C146 10G010 601 1


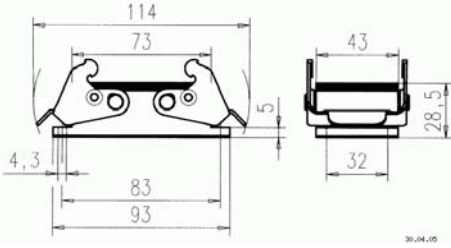

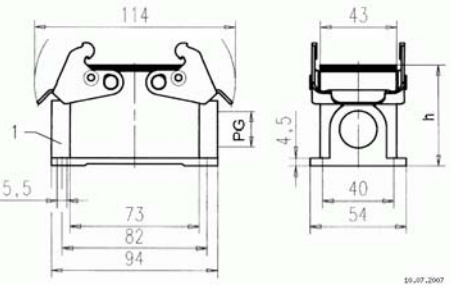

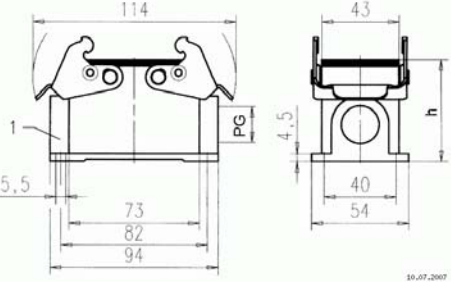

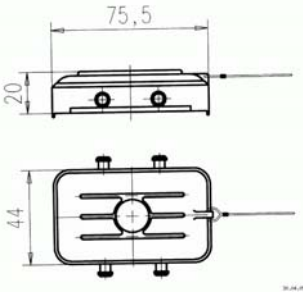

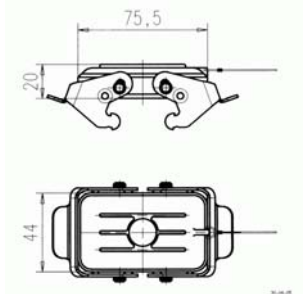
## heavy | mate® - C146 PRODUCT SHORTFORM

### C146E – 10 + PE

PRODUCT – FIGURE	DRAWING	DESCRIPTION	PART NUMBER
		<b>HOOD</b> Metal, C146E 10+PE, top entry, high profile, PG29	C146 10G010 601 8
		<b>COUPLING HOOD</b> Metal, for C146E 10+PE, low profile, PG16, h = 51mm	C146 10G010 802 1
		<b>COUPLING HOOD</b> Metal, for C146E 10+PE, low profile, PG21, h = 51mm	C146 10G010 803 1
		<b>COUPLING HOOD</b> Metal, for C146E 10+PE, high profile, PG21, h = 70mm	C146 10G010 802 8
		<b>COUPLING HOOD</b> Metal, for C146E 10+PE, high profile, PG29, h = 70mm	C146 10G010 803 8

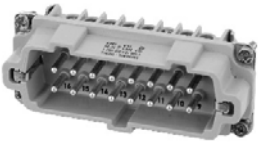
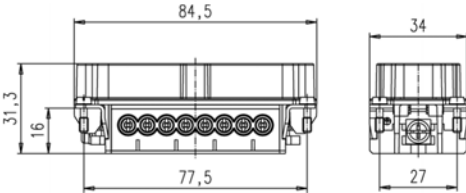
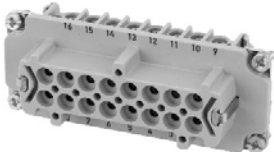
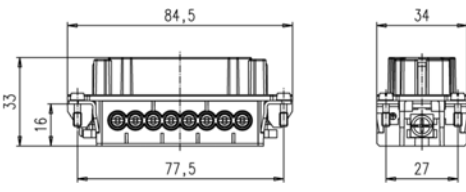

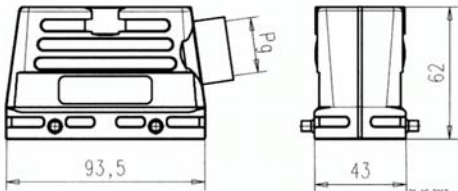

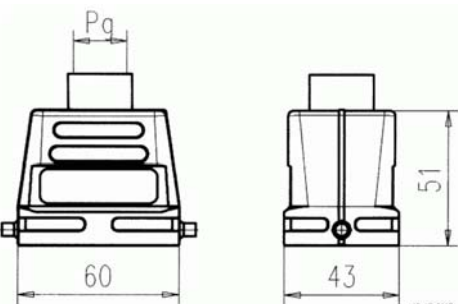

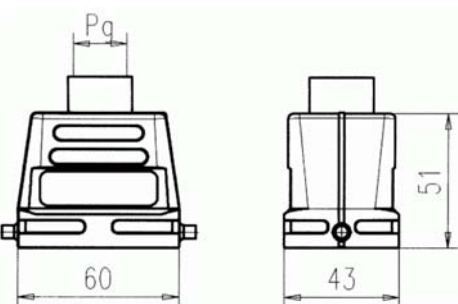
## heavy | mate® - C146 PRODUCT SHORTFORM

### C146E – 10 + PE

PRODUCT – FIGURE	DRAWING	DESCRIPTION	PART NUMBER
		<b>HOUSING</b> Metal, C146E 10+PE, bulkhead mounting	<b>C146 10F010 000 1</b>
		<b>HOUSING</b> Metal, C146E 10+PE, single side entry, PG 16, H = 57mm	<b>C146 10F010 500 1</b>
		<b>HOUSING</b> Metal, for C146E 10+PE, double side entry, PG 16, H = 57mm	<b>C146 10F010 600 1</b>
		<b>PROTECTIVE</b> <b>COVER, C146E</b> <b>10+PE housing</b>	<b>C146 10Z010 100 1</b>
		<b>PROTECTIVE</b> <b>COVER, C146E</b> <b>10+PE hood</b>	<b>C146 10Z010 200 1</b>

## heavy | mate® - C146 PRODUCT SHORTFORM


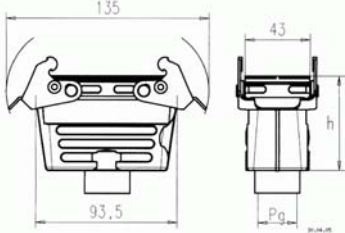

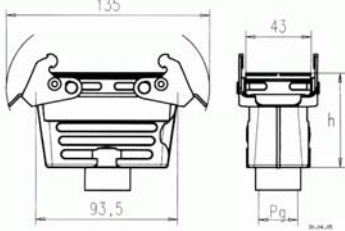

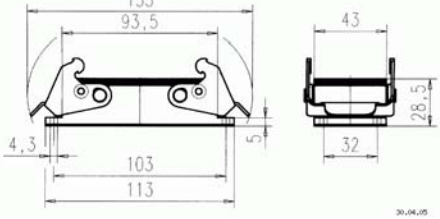

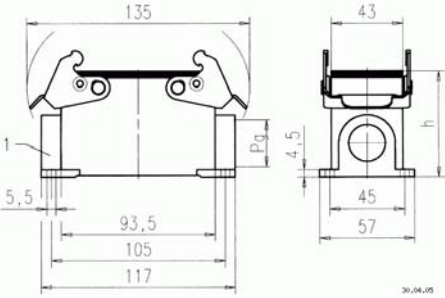

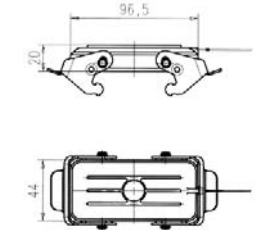

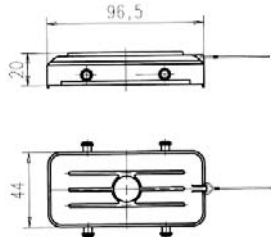
### C146E – 16 + PE

PRODUCT – FIGURE	DRAWING	DESCRIPTION	PART NUMBER
		<b>INSERT</b> C146E 16+PE male, 400VAC, 19A with wire protection	<b>C146 10A016 102 1</b>
		<b>INSERT</b> C146E 16+PE female, 400VAC, 19A with wire protection	<b>C146 10B016 102 1</b>
		<b>HOOD</b> Metal, C146E 16+PE, side entry, low profile, PG21	<b>C146 10G016 500 1</b>
		<b>HOOD</b> Metal, C146E 16+PE, top entry, low profile, PG21	<b>C146 10G016 600 1</b>
		<b>HOOD</b> Metal, C146E 16+PE, top entry, low profile, PG29	<b>C146 10G016 601 1</b>




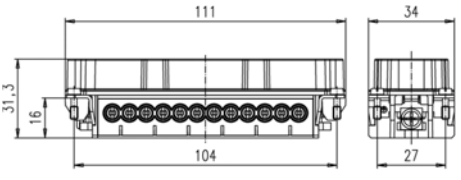

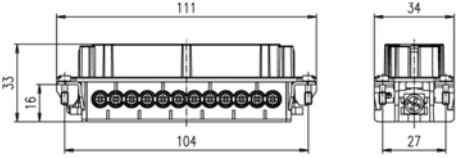

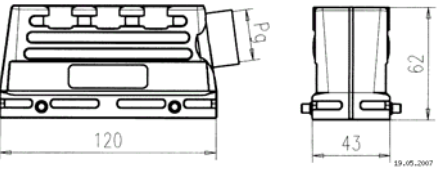

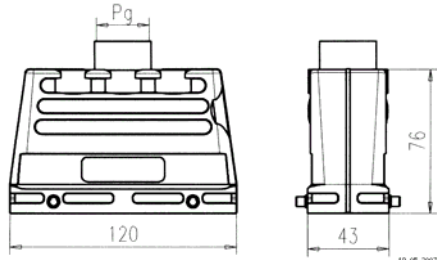

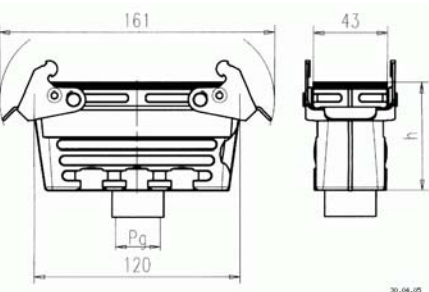
## heavy | mate® - C146 PRODUCT SHORTFORM

### C146E – 16 + PE

PRODUCT – FIGURE	DRAWING	DESCRIPTION	PART NUMBER
		<b>COUPLING HOOD</b> Metal, C146E 16+PE, low profile, PG21, H = 62mm	<b>C146 10G016 802 1</b>
		<b>COUPLING HOOD</b> Metal, C146E 16+PE, high profile, PG29, H = 76mm	<b>C146 10G016 803 8</b>
		<b>HOUSING</b> Metal, C146E 16+PE, bulkhead mounting	<b>C146 10F016 000 1</b>
		<b>HOUSING</b> Metal, C146E 16+PE, double side entry, PG 21, H = 64mm	<b>C146 10F016 600 1</b>
		<b>PROTECTIVE COVER, C146E</b> 16+PE housing	<b>C146 10Z016 100 1</b>
		<b>PROTECTIVE COVER, C146E</b> 16+PE hood	<b>C146 10Z016 200 1</b>


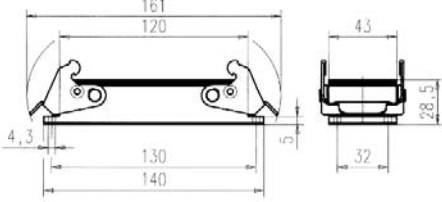

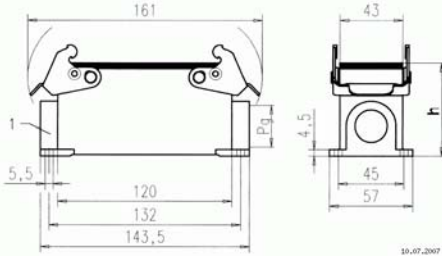

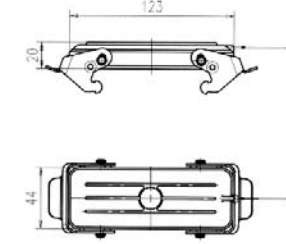

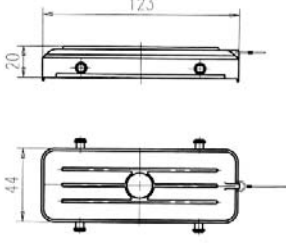
## heavy | mate® - C146 PRODUCT SHORTFORM

### C146E – 24 + PE

PRODUCT – FIGURE	DRAWING	DESCRIPTION	PART NUMBER
		<b>INSERT</b> C146E 24+PE male, 400VAC, 18A with wire protection	<b>C146 10A024 102 1</b>
		<b>INSERT</b> C146E 24+PE female, 400VAC, 18A with wire protection	<b>C146 10B024 102 1</b>
		<b>HOOD</b> Metal, C146E 24+PE, side entry, low profile, PG21	<b>C146 10G024 500 1</b>
		<b>HOOD</b> Metal, C146E 24+PE, top entry, high profile, PG21	<b>C146 10G024 600 8</b>
		<b>COUPLING HOOD</b> Metal, C146E 24+PE, high profile, PG21, H = 76mm	<b>C146 10G024 802 8</b>


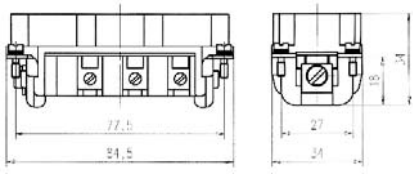

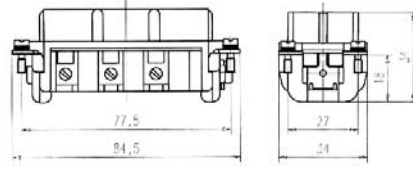

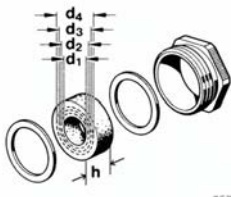

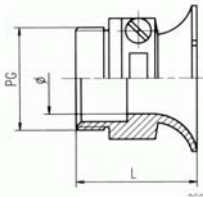

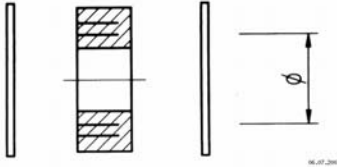


## heavy | mate® - C146 PRODUCT SHORTFORM

### C146E – 24 + PE

PRODUCT – FIGURE	DRAWING	DESCRIPTION	PART NUMBER
		<b>HOUSING</b> Metal, C146E 24+PE, bulkhead mounting	<b>C146 10F024 000 1</b>
		<b>HOUSING</b> Metal, C146E 24+PE, double side entry, PG 21, h = 64mm	<b>C146 10F024 600 1</b>
		<b>PROTECTIVE</b> <b>COVER, C146E</b> 24+PE housing	<b>C146 10Z024 100 1</b>
		<b>PROTECTIVE</b> <b>COVER, C146E</b> 24+PE hood	<b>C146 10Z024 200 1</b>

## heavy | mate® - C146 PRODUCT SHORTFORM

### C146HSE – 6 + PE

PRODUCT – FIGURE	DRAWING	DESCRIPTION	PART NUMBER
		<b>INSERT</b> C146HSE 6+PE male, 400VAC, 42A with wire protection (use 16+PE hoods & housings)	C146 10A006 102 5
		<b>INSERT</b> C146HSE 6+PE female, 400VAC, 42A with wire protection (use 16+PE hoods & housings)	C146 10B006 102 5
ACCESSORIES			
		<b>GLAND BUSHING</b> Metal, IP65 with variable inner diameter, Pack of 10	PG11 = VN16 110 0014 X PG13.5 = VN16 135 0014 X PG16 = VN16 160 0014 X PG21 = VN16 210 0014 X PG29 = VN16 290 0014 X
		<b>CABLE CLAMP</b> Metal, IP65 without gasket, pack of 5 (Requires Sealing below when using this cable clamp)	PG13.5 = VN16 135 0002 V PG16 = VN16 160 0002 V PG21 = VN16 210 0002 V PG29 = VN16 290 0002 V
		<b>SEALING</b> Variable inner diameter, and pressure rings, pack of 10 (Required when using above cable clamp)	PG13.5 = VN16 135 0029 X PG16 = VN16 160 0029 X PG21 = VN16 210 0029 X PG29 = VN16 290 0029 X
		<b>ADAPTOR,</b> PG Male to Metric Female, 1.5mm pitch	PG11/M20 PG13.5/M20
		<b>ADAPTOR,</b> PG Male to Metric Female, 1.5mm pitch	PG16/M20 PG21/M25 PG29/M32