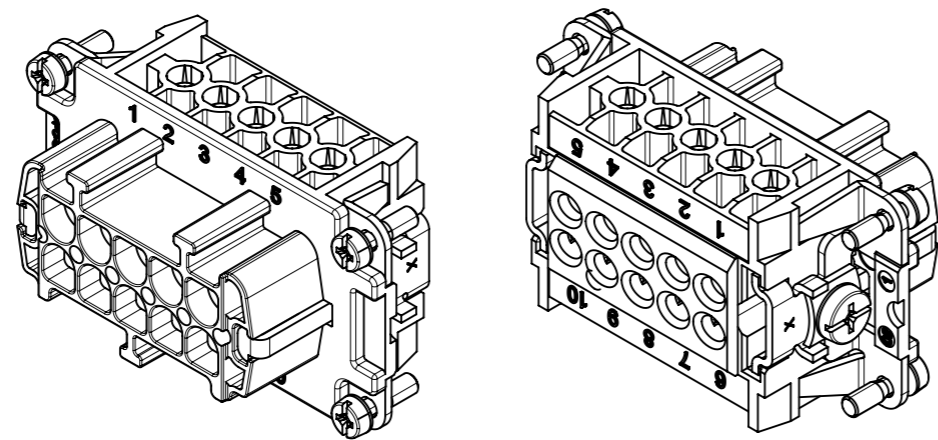
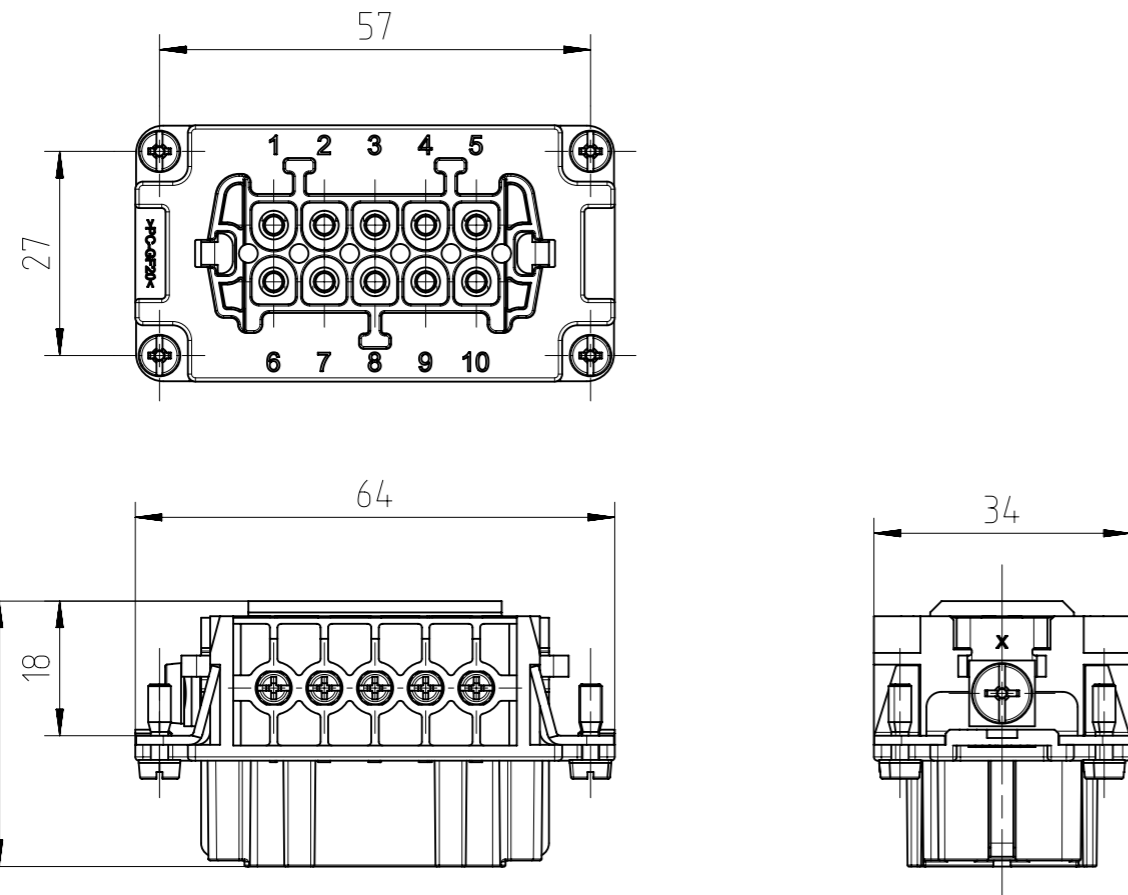


# Characteristics



General Characteristics	Standard	Value
number of contacts		10+PE
termination technique		screw
wire gauge		0,5 mm <sup>2</sup> - 2,5 mm <sup>2</sup> AWG 20 - AWG 14
max. insulation diameter		3,6 mm
flammability	UL 94	V-0
Electrical Characteristics	Standard	Value
rated voltage	IEC 60664-1	500 V
pollution degree	IEC 60664-1	3
installation (overvoltage) category	IEC 60664-1	3
material group	IEC 60664-1	3b
rated impulse withstand voltage	IEC 60664-1	6 kV
rated current T <sub>amb</sub> = 40 °C		19 A
current carrying capacity	IEC 60512-5-2	see derating curve
contact resistance	IEC 60512-2-1	≤ 5 mΩ
insulation resistance	IEC 60512-3-1	≥ 10 <sup>10</sup> Ω
Climatical Characteristics	Standard	Value
climatic category	IEC 60068-1	40 / 125 / 21
upper temperature	IEC 60512-11-9	+125 °C
lower temperature	IEC 60512-11-10	-40 °C
Mechanical Characteristics	Standard	Value
mechanical operation	IEC 60512-9-1	≥500 mating cycles
Materials	Standard	Value
insert		PC-GF20
contacts		CuZn (brass)
contact plating		Ag (silver)
color		grey

C146 E  
mit Drahtschutz  
with wire protection

Alle technischen Daten wurden unter Laborbedingungen ermittelt und können im Praxisbetrieb abweichen.  
Es handelt sich bei den Angaben weder um Beschaffenheits- noch um Haltbarkeitsgarantien.  
All technical data have been measured in a laboratory environment and can be different during practical usage of the product. Any product information is for descriptive usage only and not legally binding; particularly the information does not constitute or provide any legal guarantees ("Beschaffenheitsgarantie" or "Haltbarkeitsgarantie").

Gewicht (errechnet) / Calc WT: 66,8 g		Zul. Abw./Tolerances:		Maßstab / Scale: 1:1		A3	
Prüfmaß / Testdimension		ISO 2768-mH		DIN / ISO 13715		CUSTOMER DRAWING	
Teileindex / Partindexnumber		Datum/Date		Name		Buchseneinsatz 10pol	
		Gez. / Drawn		Inspector:		female insert 10pole	
		21.04.2016		PWÖLF			
		Status: Released		Inspector: 12.05.2016 MGRIM			
		Amphenol-Tuchel Electronics GmbH		M C146 10B010 102 1		Blatt/Sheet 1	
Index		Änderung/Description		Datum/Date		Name	
05		201600249		21.04.2016		PWÖLF	
04		201500911		10.02.2016		JHÖNN	
		4.040.566				Ers. f. / Replacement for: M-C146 10B010 102 1 Rev03	

Copying of this document and giving it to others and the use or communication of the contents thereof, are forbidden without express authority. Offenders are liable to the payment of damages. All rights are reserved in the event of the grant of a patent or the registration of the utility model or design.

Weitergabe sowie Vervielfältigung dieser Unterlage, Verwertung und Mitteilung ihres Inhalts nicht gestattet, soweit nicht ausdrücklich zugestanden. Zuwiderhandlungen verpflichten zu Schadenersatz. Alle Rechte für den Fall der Patenterteilung oder Gebrauchsmuster-Ertragung vorbehalten.