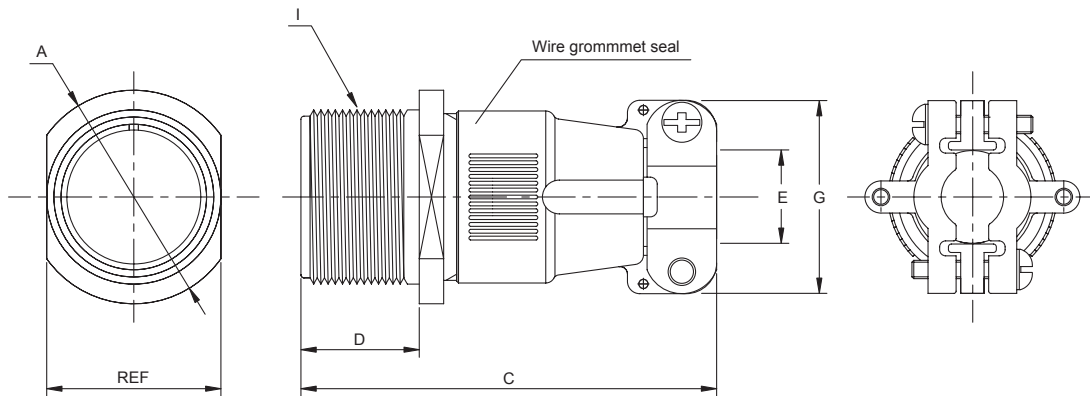




Amphenol MIL-C-5015 Connectors MS3101E(F)

Cable Connecting Receptacle
Integral Cable Clamp



MS3101E/F cable connecting receptacles are used for cable extension requirements, where mounting provisions are unnecessary. MS3101E/F receptacles mate with 3106 and 3108 plugs.

(mm)

Shell Size	A Max	C Max	D +0.79 - 0.00	Ø E Max	Ø G Max	I Thread-2A (UNEF)
10SL	25.40	57.15	14.28	7.9	23.0	5/8-24 NEF
12S	27.79	57.15	14.28	7.9	23.0	3/4-20 NEF
12	27.79	66.67	19.05	7.9	23.0	3/4-20 NEF
14S	30.18	57.15	14.28	11.2	26.0	7/8-20 NEF
14	30.18	66.67	19.05	11.2	26.0	7/8-20 NEF
16S	32.54	57.15	14.28	14.2	29.0	1-20 NEF
16	32.54	66.67	19.05	14.2	29.0	1-20 NE
18	34.93	68.27	19.05	16.0	31.6	1 1/8-18 NEF
20	38.10	69.85	19.05	19.1	37.5	1 1/4-18 NEF
22	41.28	69.85	19.05	19.1	37.5	1 3/8-18 NEF
24	44.45	75.41	20.63	23.8	43.0	1 1/2-18 NEF
28	50.80	76.98	20.63	23.8	43.0	1 3/4-18 NS
32	57.15	76.98	22.23	32.0	52.0	2-18 NS
36	63.50	83.33	22.23	35.0	58.0	2 1/4-16 UN

ADS-2008