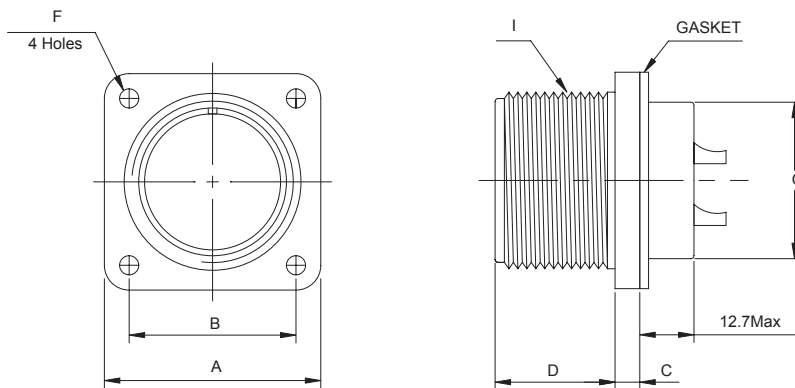




Amphenol MIL-C-5015 Connectors

MS3102R

Box Mounting Receptacle



MS3102R box mounting receptacles are used in junction boxes or as an integral part of equipment. These connectors are identical with 3102A in construction.

(mm)

Shell Size	A ± 0.79	B ± 0.12	C ± 0.5	D +0.79 - 0.00	∅ F +0.25 - 0.12	∅ G Max	I Thread-2A (UNEF)
10SL	25.40	18.26	3.0	14.28	3.05	16.0	5/8-24 NEF
12S	27.79	20.62	3.0	14.28	3.05	16.5	3/4-20 NEF
12	27.79	20.62	3.0	19.05	3.05	16.5	3/4-20 NEF
14S	30.18	23.01	3.0	14.28	3.05	20.0	7/8-20 NEF
14	30.18	23.01	3.0	19.05	3.05	20.0	7/8-20 NEF
16S	32.54	24.61	3.0	14.28	3.05	23.0	1-20 NEF
16	32.54	24.61	3.0	19.05	3.05	23.0	1-20 NEF
18	34.93	26.97	4.0	19.05	3.05	26.0	1 1/8-18 NEF
20	38.10	29.36	4.0	19.05	3.05	29.0	1 1/4-18 NEF
22	41.28	31.75	4.0	19.05	3.05	32.0	1 3/8-18 NEF
24	44.45	34.93	4.0	20.63	3.73	35.5	1 1/2-18 NEF
28	50.80	39.67	4.0	20.63	3.73	42.0	1 3/4-18 NS
32	57.15	44.45	4.0	22.23	4.39	48.0	2-18 NS
36	63.50	49.23	4.0	22.23	4.39	55.0	2 1/4-16 UN

ADS-2008