

Downhole Rotatable Connector

Amphenol® Oil & Gas Technologies now offers Downhole Rotatable (DHR) Connector series. We have radically redesigned these products to reduce failure points and increase reliability. Fully compatible with existing housings and mountings for the Bluestar and Tensor Rotary Connectors, these connectors offer high pressure and high temperature sealed connections standard in the downhole industry.

Amphenol's DHR Connector is made from high temperature Bakelite plastics with gold-plated BeCu contact bands. Our patent-pending process enables the creation of 1-piece contacts, from the ring- through the back end, of each connector. These solid connectors have eliminated solder and laser-weld failure points within the connector, and have increased the strength and life of such connectors.

Features:

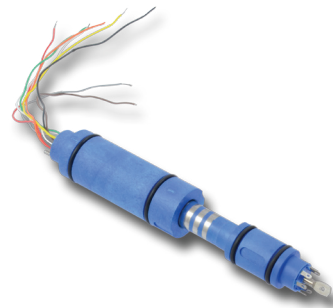
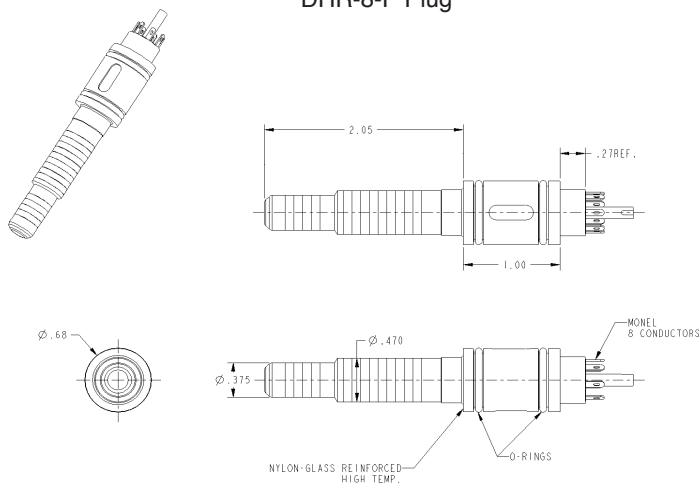
- High Pressure: 20,000 PSI (137 MPA) bi-directional
- High Temperature: 200°C
- High Temperature Bakelite Plastics insulation material
- Fully compatible with major competitor products in the industry
- Tabbed connections capable of carrying up to 5 amps per contact
- 8 Contacts Currently Available; 4, 6, 7, 10, etc. coming soon



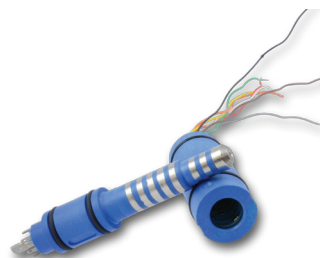
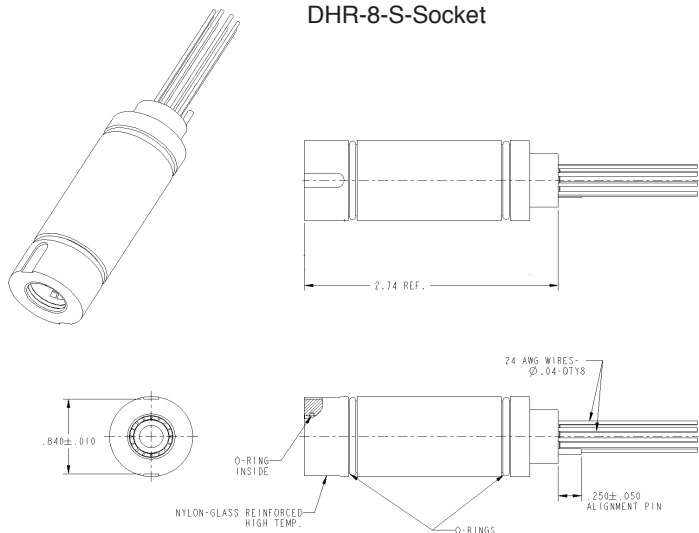
Technical Data

Temperature	200°C (392°F)
Pressure	Bi-directional: -20,000 psi (137 MPa)
Current per contact	2-5 A
Material of connector	Injection Molded, Bakelite plastic insulation; BeCu contacts
Contact bands thickness	50 micron gold-plated contact bands

DHR-8-P Plug



DHR-8-S-Socket



Testing Data

Voltage Drop (MV drop) through each contact and resistance values taken at connector terminals

Contact	MV drop (V)	Resistance (Ω)
2	6.2	0.062
3	5.8	0.058
4	5.3	0.059
7	4.5	0.045
8	4.8	0.048

Notice: Specifications are subject to change without notice. Contact your nearest Amphenol Corporation Sales Office for the latest specifications. All statements, information and data given herein are believed to be accurate and reliable but are presented without guarantee, warranty, or responsibility of any kind, expressed or implied. Statements of suggestions concerning possible use of our products are made without representation or warranty that any such use is free of patent infringement and are not recommendations to infringe any patent. The user should assume that all safety measures are indicated or that other measures may not be required. Specifications are typical and may not apply to all connectors.

For further information on your individual application requirements, contact: Amphenol Corporation

North America:
Amphenol Industrial Operations
180 N. Freeport Drive, Plant 4
Nogales, AZ 85621
Tel: (520) 285-5130
Fax: (520) 285-5134

Email: rpdrzzini@amphenol-aio.com

Europe:
Amphenol Industrial Operations Europe
Via Barbaiana 5
1-20020 Lainate (MI) Italy
Tel: +39 02 93254.204
Fax: +39 02 93254.444

Email: info@amphenol-aio.com

Middle East:
Amphenol Middle East Enterprises FZE
Office C-37 PO Box 21107
Ajman Free Zone, UAE
Tel: +9716-7422494
Fax: +9716-7422941

Email: ameefze@eim.ae

Asia:
Amphenol Technology Shenzhen Ltd
Block 5 Fuan 2nd Industrial Park
Dayang Rd, Fuyong Baoan
Baoan, Shenzhen, China 518103
Tel: +86 755 2881 8389
Fax: +86 755 2991 8310

Email: enquiry@amphenol-aio.com