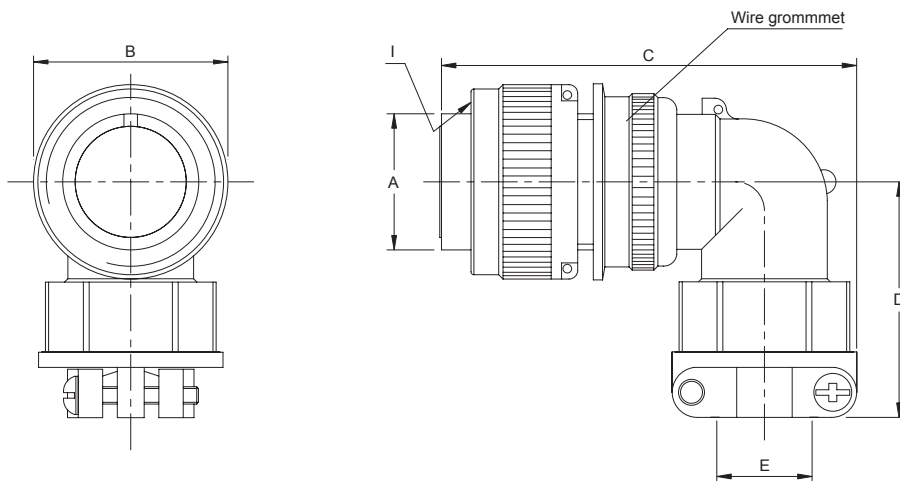


**Amphenol®**

# Amphenol MIL-C-5015 Connectors

## MS3108E

### Right Angle Plug



MS3108E Right angle plugs are used where there is limited space and where wires must be brought at abrupt angles. This plug mate with 3100, 3101 and 3102 receptacles

(mm)

Shell Size	A +0.00 -0.38	B Max	C Max	D Max	∅ E Max	I Thread-2B (UNEF)
10SL	11.33	24.61	55.57	38.1	7.9	5/8-24 NEF
12S*	14.10	26.97	55.57	38.1	7.9	3/4-20 NEF
12*	14.10	26.97	64.28	38.1	7.9	3/4-20 NEF
14S	17.15	29.36	58.72	40.4	11.2	7/8-20 NEF
14	17.15	29.36	68.27	40.4	11.2	7/8-20 NEF
16S	20.45	31.75	61.11	42.8	14.2	1-20 NEF
16	20.45	31.75	70.63	42.8	14.2	1-20 NEF
18	23.62	34.13	72.23	45.2	16.0	1 1/8-18 NEF
20	26.67	37.31	82.55	50.0	19.1	1 1/4-18 NEF
22	29.85	40.48	82.55	50.8	19.1	1 3/8-18 NEF
24	33.02	43.66	94.46	53.9	23.8	1 1/2-18 NEF
28	38.61	50.01	94.46	55.5	23.8	1 3/4-18 NS
32	44.96	56.36	106.37	65.8	32.0	2-18 NS
36	50.29	62.71	109.14	69.0	35.0	2 1/4-16 UN

ADS-2008

\* No Tooling