



Excel|Mate MSD

Manual Service Disconnect





Amphenol PCD Manual Service Disconnect

Amphenol's MSD offers a safe and reliable solution for xEV servicing. It utilizes a two-stage lever to open the HVIL circuit prior to separation of HV contacts. It is a tool-free solution for disconnecting the internal high voltage battery pack and protecting the high voltage battery pack from short circuit. All HV conduction surfaces on receptacle assembly are finger proof touch safe.

Available in a scalable design with a variety of fuse ratings.

Excel|Mate MSD



KEY FEATURES

2 stage lever provides HVIL time delay

2 x integrated internal HVIL

Unique cooling structure

Double channel design lowers temperature rise

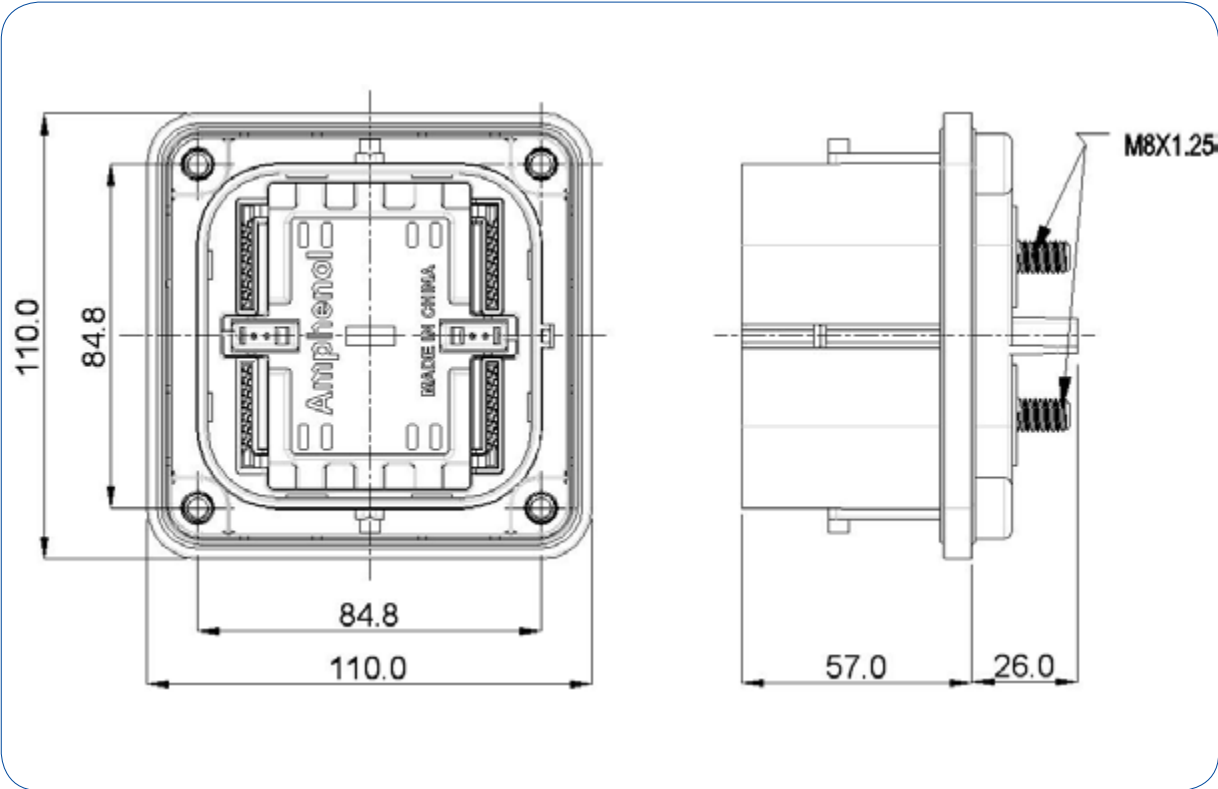
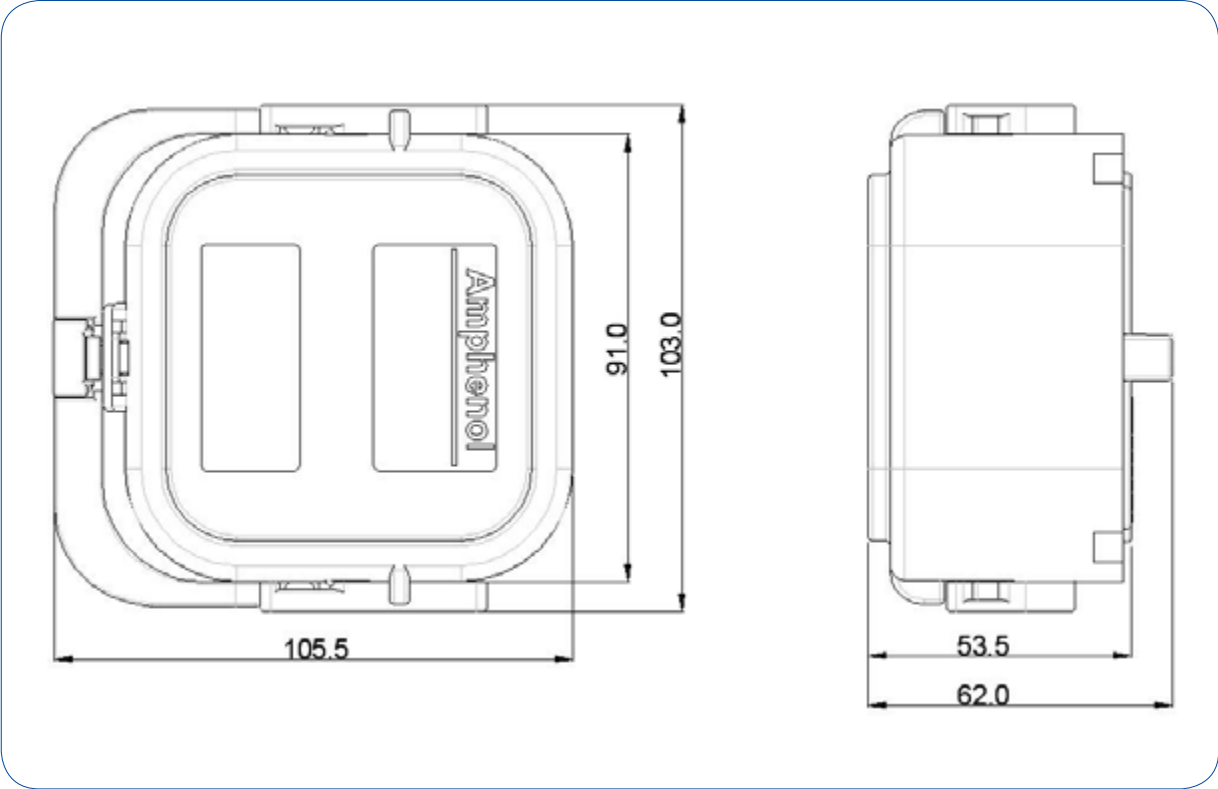
No tools required to unmate

Various of fuse rating

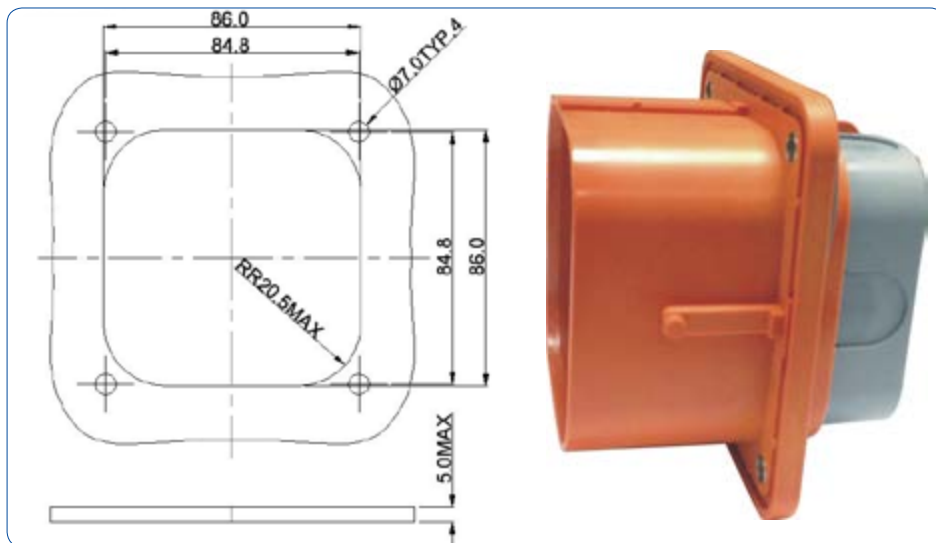
Receptacle can be front or rear mounted

APPLICATION:	
Battery manual service disconnect used for servicing PHEV system	
MECHANICAL:	
Durability	≥ 50 mating cycles
ELECTRICAL:	
Fuse specification	up to 630A
WITH FUSE:	
Current rating	About 1/3 of selected fuse specification
Voltage rating	690V AC
WITHOUT FUSE:	
Current rating	230A max
Voltage rating	1000V DC max
ENVIROMENTAL:	
Sealing	IP67, IP6K9K (mated)
Temperature range	-40°C to 70°C
Storage temperature	-40°C to 85°C
STANDARDS:	
USCAR-2	
USCAR-37	
LV-215	
RoHS	

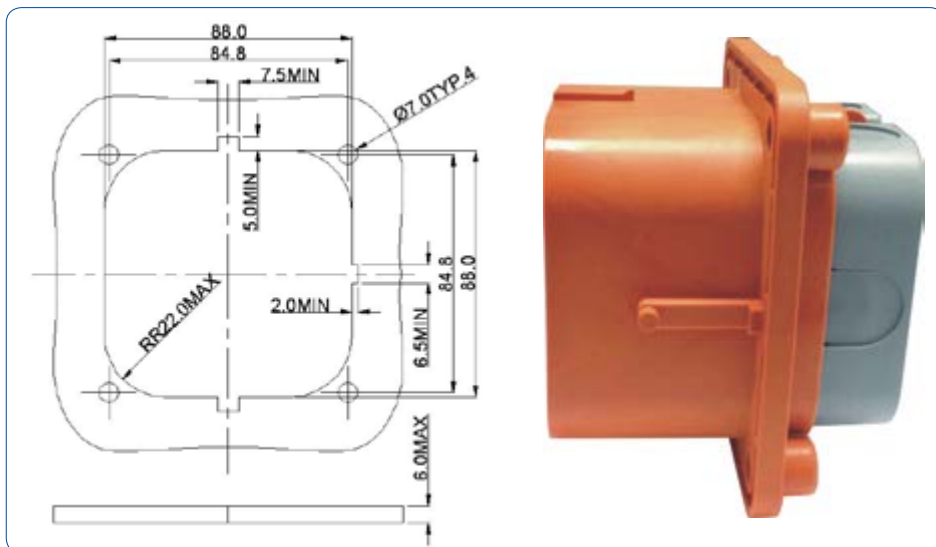
PRODUCT DIMENSIONS



FRONT MOUNTED



REAR MOUNTED



DUST CAP AVAILABLE
P/N: C270006810



HOW TO ORDER

	MSD	X	M	350	2	F
Customer location						
Shell type: M: Plug F: Receptacle						
Fuse rating current: XXX: 200, 250, 315, 350, 400, 450, 500, 550, 630 (Unit: AMP) 000: No need fuse, use terminal directly						
Fuse brand: 1: Ferraz 2: Bussmann (Apply with plug)						
Flange mounted type: F: Front mounted R: Rear mounted (Apply with receptacle)						

Excel|Mate Mini MSD



Amphenol PCD Mini Manual Service Disconnect

Mini MSD developed from MSD. Smaller in size and lower in cost. It is a more compact solution.

Available in a scalable design with a variety of fuse ratings

Excel|Mate Mini MSD



KEY FEATURES

2 stage lever provides HVIL time delay

Integrated internal HVIL

Unique cooling structure

Double channel design lowers temperature rise

No tools required to unmate

Various of fuse rating

Receptacle can be front or rear mounted

APPLICATION:

Battery manual service disconnect used for servicing PHEV system

MECHANICAL:

Durability	≥ 50 mating cycles
------------	--------------------

ELECTRICAL:

Fuse specification	up to 400A
--------------------	------------

WITH FUSE:

Current rating	About 1/3 of selected fuse specification
----------------	--

Voltage rating	600V to 690V AC
----------------	-----------------

WITHOUT FUSE:

Current rating	170A
----------------	------

Voltage rating	1500V DC max
----------------	--------------

ENVIROMENTAL:

Sealing	IP67, IP6K9K (mated)
---------	----------------------

Temperature range	-40°C to 70°C
-------------------	---------------

Storage temperature	-40°C to 85°C
---------------------	---------------

STANDARDS:

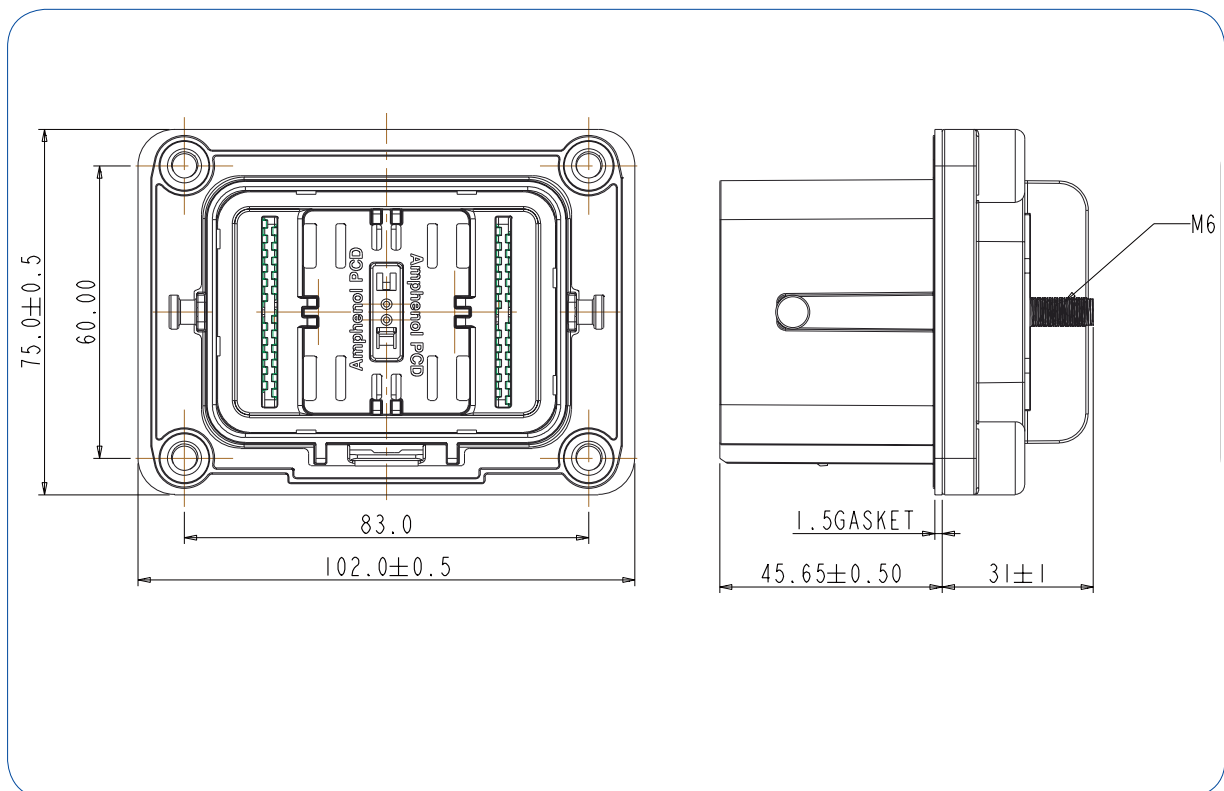
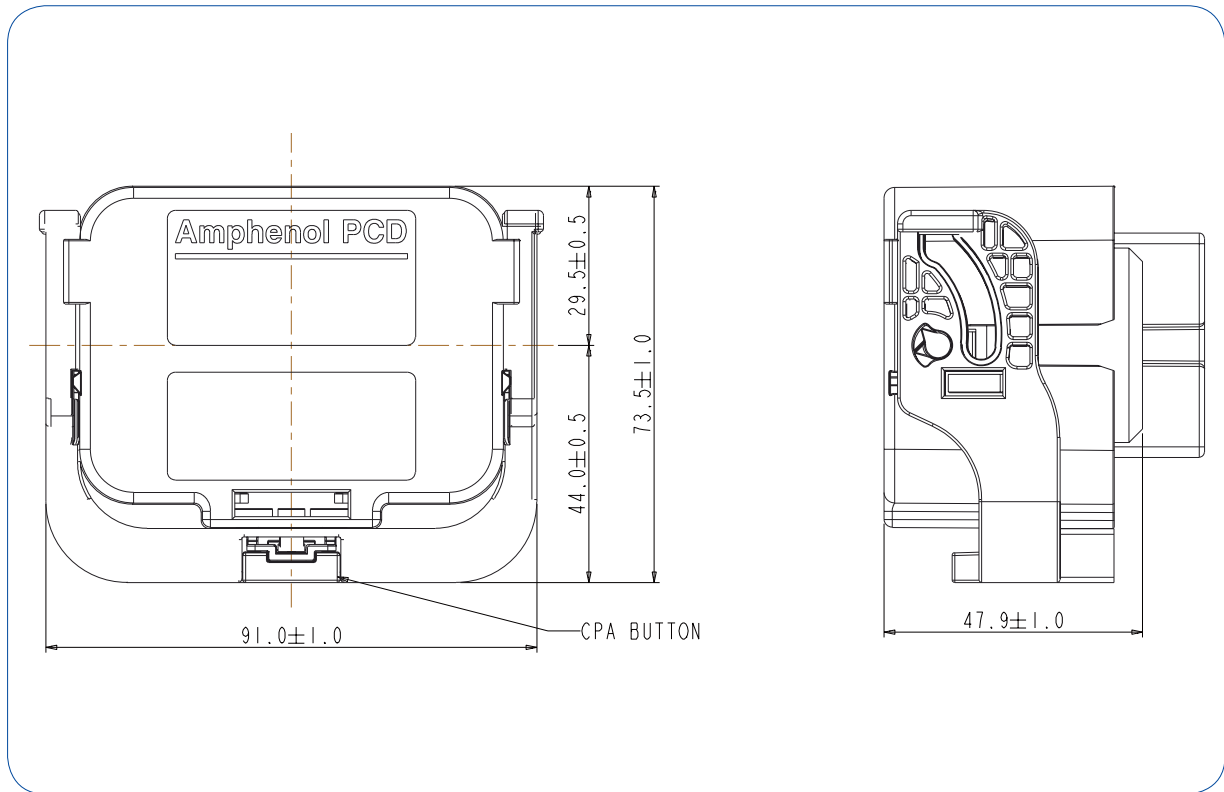
USCAR-2

USCAR-37

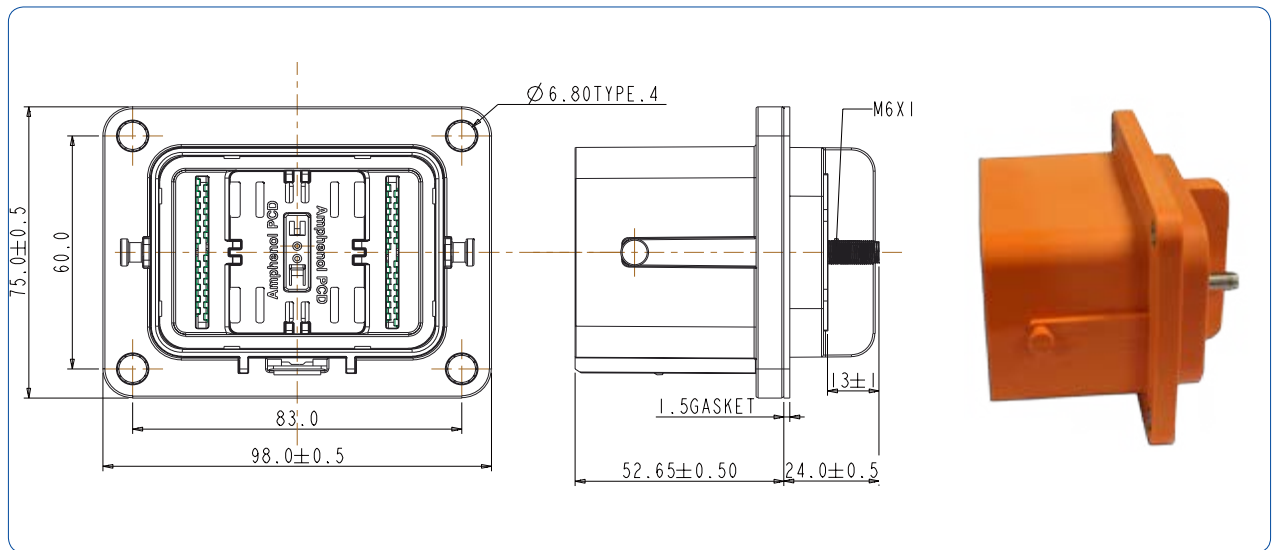
LV-215

RoHS

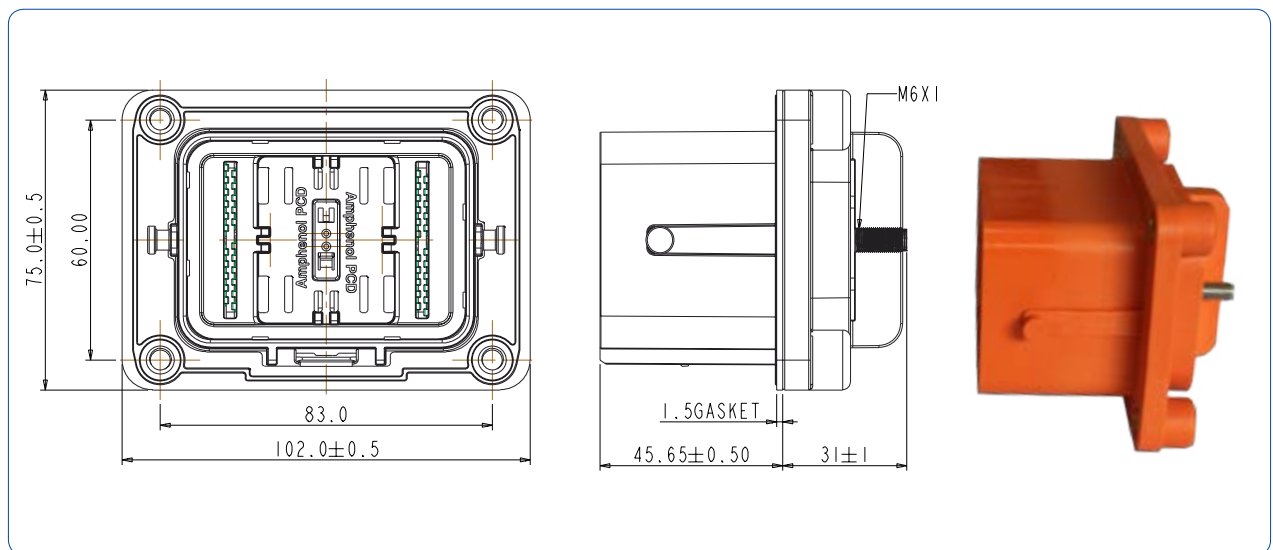
PRODUCT DIMENSIONS



FRONT MOUNTED



REAR MOUNTED



DUST CAP AVAILABLE
P/N: C270006809



HOW TO ORDER

	MINI MSD	X	M	350	/	F
Customer location						
Shell type: M: Plug F: Receptacle						
Fuse rating current: XXX: 080, 100, 125, 160, 200, 250, 315, 350, 400 (Unit: AMP) 000: No need fuse, use terminal directly						
Fuse brand: /: Omit, Bussmann 1: Other brand (TBD)						
Flange mounted type: F: Front mounted R: Rear mounted (Apply with receptacle)						

Amphenol PCD Shenzhen

Building 21
1st Liao Keng Industrial Zone
Shi Yan Street, Bao An District Shenzhen 518108
China

Tel.: +86 755-8173-8000
Fax: +86 755-8173-8180
Email: inquiry@amphenolpcd.com.cn

www.amphenolpcd.com.cn

Notes:

Amphenol PCD Shenzhen has made every effort to ensure that the information contained in this catalog is accurate at the time of publication. Specifications or information stated in this publication are subject to change without notice.

Amphenol PCD Shenzhen reserves the right to clarify this catalog.