

**GENERAL TOLERANCE**

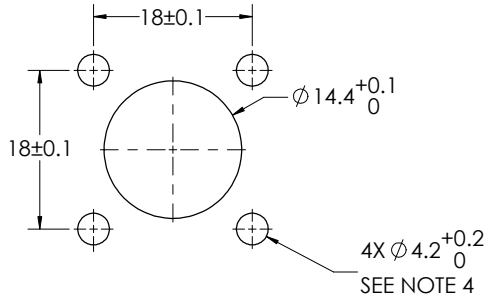
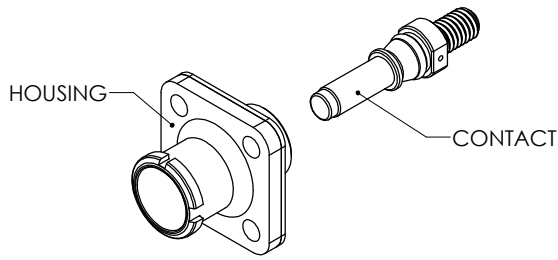
<b>DIM. RANGE</b>	<b>0.5 - 3</b>	<b>&gt;3-6</b>	<b>&gt;6-30</b>	<b>&gt;30-120</b>	<b>&gt;120-400</b>
<b>TOLERANCE</b>	±0.1	±0.1	±0.2	±0.3	±0.5

**CUSTOMER DRAWING**

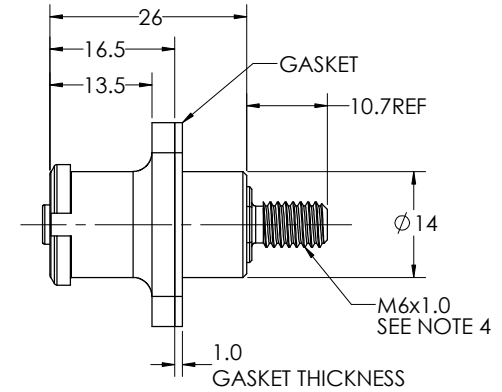
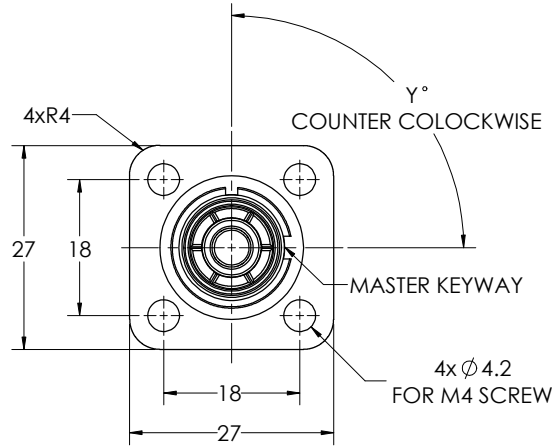


**REVISION**

REV.	DESCRIPTION	DATE
A	INITIAL RELEASE	2018-04-16



RECOMMENDED PANEL CUT OUT

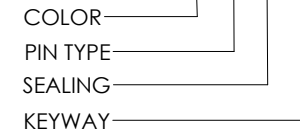


**SPECIFICATIONS**

CURRENT RATING	120 Amps MAX
OPERATING VOLTAGE	1000V DC
OPERATING TEMPERATURE (AMBIENT)	-40°C~125°C
CONTACT RESISTANCE	0.5mΩ MAX
PROTECTION CLASS	IP67(MATED)

ITEM	OPTION	NUMBER
COLOR	ORANGE	0
	BLACK	1
	RED	2
PIN TYPE	SCREW	2
SEALING	IP67(MATED)	0
	NO SEALING	1
KEYWAY (Y°)	NO KEYWAY	OMIT
	90°	0
	180°	1
	60°	2
	120°	3
	150°	4

PART NUMBER DESCRIPTION: C10-753707-( ) 2 ( ) ( )



4. RECOMMENDED TORQUE FOR M6 NUT IS 4.0±0.3N.m.  
RECOMMENDED TORQUE FOR M4 NUT IS 0.4-0.7N.m.
3. THE DRAWING ILLUSTRATE FINALL ASSEMBLY.  
FOR STORAGE AND SHIPPING OF SCREW TYPE, THE CONTACT AND HOUSING ARE SHIPPED UNASSEMBLED.
2. IF CHOOSE NO SEALING TYPE, THERE WILL BE NO GASKET.
1. THE REFERENCED PRODUCT SHALL BE COMPLIANT TO RoHS DIRECTIVE.

**NOTES:**

THIS DOCUMENT CONTAINS PROPRIETARY INFORMATION AND SUCH INFORMATION MAY NOT BE DISCLOSED TO OTHERS FOR ANY PURPOSE OR USED FOR MANUFACTURING PURPOSES WITHOUT WRITTEN PERMISSION FROM THE AMPHENOL CORP.

UNLESS OTHERWISE SPECIFIED		APPROVALS		DATE	<b>AMPHENOL INDUSTRIAL OPERATIONS</b> Amphenol Technology (Zuhai) Co., Ltd No.63, Xingnan Road, Sanzao Town, Jinwan, Zhuhai, PRC
LINEAR DIMENSIONS ARE IN: <b>MILLIMETERS</b>		PREPARED BY:	Thor Yan	2018-04-16	
TOLERANCES: ANGLES: ±2° DEFAULT LINEAR TOLERANCES SEE TABLE		ENGINEER IN CHANGE:	Seven Xie		
DIM. & TOL. PER ASME Y14.5M-1994; DRM PER MIL-DTL-31000; OTHER AMPHENOL STANDARDS: 9-3800		DESIGN MANAGER:	Rob Weng		
LEGENDS: =FLAG NOTE CALL OUT REFERENCE		PRODUCT GROUP:	C&I		
THIRD ANGLE PROJECTION		AIPG DIVISION:			
		MATERIAL SPEC	PROCESS SPEC		
		N/A	N/A		
SIZE	CAGE CODE	DOCUMENT NUMBER		REV	
C	77820	10-753707-( )		A	
SCALE: 2:1		REF: C10-730187-( )		SHEET 1 OF 1	